



Maintenance and Service Guide

HP Pavilion dv8200 Notebook PC
HP Pavilion dv8000 Notebook PC

Document Part Number: 403248-002

June 2006

This guide is a troubleshooting reference used for maintaining and servicing the computer. It provides comprehensive information on identifying computer features, components, and spare parts; troubleshooting computer problems; and performing computer disassembly procedures.

© Copyright 2005, 2006 Hewlett-Packard Development Company, L.P.

Microsoft and Windows are U.S. registered trademarks of Microsoft Corporation. AMD, Turion, Sempron, and combinations thereof, are trademarks of Advanced Micro Devices, Inc. Bluetooth is a trademark owned by its proprietor and used by Hewlett-Packard Company under license. SD Logo is a trademark of its proprietor.

The information contained herein is subject to change without notice. The only warranties for HP products and services are set forth in the express warranty statements accompanying such products and services. Nothing herein should be construed as constituting an additional warranty. HP shall not be liable for technical or editorial errors or omissions contained herein.

Maintenance and Service Guide
HP Pavilion dv8200 Notebook PC
HP Pavilion dv8000 Notebook PC
Second Edition: June 2006
First Edition: November 2005
Document Part Number: 403248-002

Contents

1 Product Description

1.1 Features	1-2
1.2 Resetting the Computer.	1-4
1.3 Power Management.	1-5
1.4 External Components	1-6
1.5 Design Overview.	1-24

2 Troubleshooting

2.1 Computer Setup.	2-1
Using Computer Setup	2-1
Selecting from the File Menu	2-2
Selecting from the Security Menu	2-3
Selecting from the Diagnostics Menu	2-4
Selecting from the System Configuration Menu.	2-5
2.2 Troubleshooting Flowcharts	2-6

3 Illustrated Parts Catalog

3.1	Serial Number Location	3-1
3.2	Computer Major Components	3-2
3.3	Display Assembly Subcomponents	3-12
3.4	Plastics Kit	3-14
3.5	Cable Kit	3-15
3.6	Mass Storage Devices	3-16
3.7	Miscellaneous (Not Illustrated)	3-18
3.8	Sequential Part Number Listing	3-20

4 Removal and Replacement Preliminaries

4.1	Tools Required	4-1
4.2	Service Considerations	4-2
	Plastic Parts	4-2
	Cables and Connectors	4-2
4.3	Preventing Damage to Removable Drives	4-3
4.4	Preventing Electrostatic Damage	4-4
4.5	Packaging and Transporting Precautions	4-5
4.6	Workstation Precautions	4-6
4.7	Grounding Equipment and Methods	4-7

5 Removal and Replacement Procedures

5.1 Serial Number	5-2
5.2 Disassembly Sequence Chart	5-3
5.3 Preparing the Computer for Disassembly	5-5
5.4 Hard Drive	5-7
5.5 Computer Feet	5-11
5.6 Memory Module	5-11
5.7 Mini PCI Communications Module	5-15
5.8 RTC Battery	5-17
5.9 Optical Drive	5-19
5.10 Switch Cover	5-21
5.11 Keyboard Assembly Frame	5-23
5.12 LED Board	5-27
5.13 Keyboard	5-29
5.14 Display Assembly	5-31
5.15 Top Cover	5-43
5.16 System Board	5-50
5.17 Bluetooth Module	5-57
5.18 Modem Connector Cable	5-60
5.19 USB Board	5-62
5.20 Speakers	5-64
5.21 Heat Sink	5-67
5.22 Processor	5-70
5.23 Fan Assembly	5-72
5.24 PC Card Assembly	5-76

6 Specifications

A Screw Listing

B Software Update and Recovery

C Display Component Recycling

D Connector Pin Assignments

E Power Cord Set Requirements

Index

1

Product Description

The HP Pavilion dv8200 Notebook PC and HP Pavilion dv8000 Notebook PC offer advanced modularity, AMD Mobile Turion™ 64 Mobile Technology and Mobile AMD Sempron™ processors, and extensive multimedia support.



HP Pavilion dv8200 Notebook PC and HP Pavilion dv8000 Notebook PC

1.1 Features

- The following processors, varying by computer model:
 - ❑ AMD Turion 64 ML-44 (2.4-GHz)
 - ❑ AMD Turion 64 ML-40 (2.2-GHz)
 - ❑ AMD Turion 64 ML-40 (2.2-GHz)
 - ❑ AMD Turion 64 ML-37 (2.0-GHz)
 - ❑ AMD Turion 64 ML-34 (1.8-GHz)
 - ❑ AMD Turion 64 ML-32 (1.8-GHz)
 - ❑ AMD Turion 64 ML-30 (1.6-GHz)
 - ❑ Mobile AMD Sempron 3300 (2.0-GHz)
 - ❑ Mobile AMD Sempron 3100 (1.8-GHz)
- 17.0-inch, WSXGA+, TFT (1680 × 1050) with BrightView or 17.0-inch, WXGA+, TFT (1440 × 900) with BrightView display, varying by computer model
- 120-, 100-, or 80-GB high-capacity hard drive, varying by computer model
- 256-MB DDR1 synchronous DRAM (SDRAM) at 333 MHz, expandable to 2.0 GB
- Microsoft® Windows® XP Home Edition or Windows XP Professional, varying by computer model
- Full-size Windows keyboard with full-size numeric keypad
- TouchPad pointing device, including dedicated vertical scroll region
- Integrated 10Base-T/100Base-TX Ethernet local area network (LAN) network interface card (NIC) with RJ-45 jack
- Integrated high-speed 56K modem with RJ-11 jack
- Integrated wireless support for Mini PCI IEEE 802.11a/b/g WLAN device

- Support for one Type I or Type II PC Card slot, with support for both 32-bit (CardBus) and 16-bit PC Cards
- Support for ExpressCard slot
- External 65-watt AC adapter with 3-wire power cord
- 8-cell Li-Ion battery
- Stereo speakers
- Volume up, volume mute, and volume down buttons
- QuickPlay buttons
- Support for the following optical drives:
 - ❑ DVD±RW and CD-RW Double-Layer Combo Drive with LightScribe
 - ❑ DVD±RW and CD-RW Double-Layer Combo Drive
 - ❑ DVD/CD-RW Combo Drive
- Connectors:
 - ❑ Audio-in (microphone)
 - ❑ Audio-out (headphone)
 - ❑ Digital Media Slot
 - ❑ Expansion port 2
 - ❑ ExpressCard slot
 - ❑ External monitor
 - ❑ IEEE 1394
 - ❑ PC Card
 - ❑ Power
 - ❑ RJ-11 (modem)
 - ❑ RJ-45 (network)
 - ❑ S-Video-out
 - ❑ Universal Serial Bus (USB) v. 2.0 (4 ports)

1.2 Resetting the Computer

If the computer you are servicing has an unknown password, follow these steps to clear the password. These steps also clear CMOS:

1. Enter an incorrect password and press **enter**.
2. Repeat Step 1 two times.

After the third entry of the incorrect password, the computer responds with a “System Disabled” message and provides an override password.

3. Access MS/DOS by clicking **Start > All Programs > Accessories > Command Prompt**.
4. Enter “unlock6 xxxxx 0,” where “xxxxx” is the password generated by the computer in Step 2.

The computer responds with another system-generated password. This password can be used to reset the computer and clear all CMOS settings.

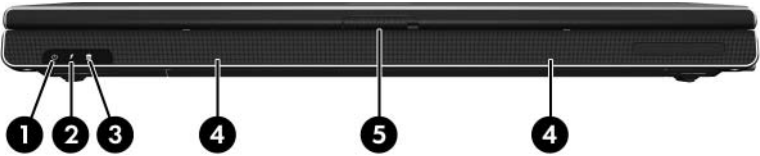
1.3 Power Management

The computer comes with power management features that extend battery operating time and conserve power. The computer supports the following power management features:

- Standby
- Hibernation
- Setting customization by the user
- Hotkeys for setting the level of performance
- Battery calibration
- Lid switch standby/resume
- Power button
- Advanced Configuration and Power Management (ACPM) compliance

1.4 External Components

The external components on the front of the computer are shown below and described in Table 1-1.

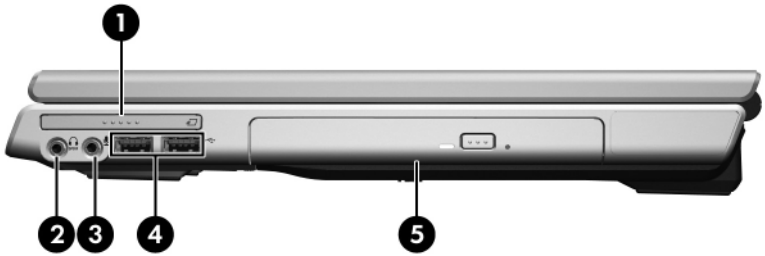


Front Components

Table 1-1
Front Components

Item	Component	Function
1	Power light	<ul style="list-style-type: none"> ■ On: Computer is turned on. ■ Off: Computer is off or in hibernation. ■ Blinking: Computer is in standby.
2	Battery light	<ul style="list-style-type: none"> ■ On: A battery is charging or is close to full charge capacity. ■ Off: If the computer is plugged into an external power source, the light is turned off when all batteries in the computer are fully charged. If the computer is not plugged into an external power source, the light stays off until the battery reaches a low-battery condition. ■ Blinking: A battery that is the only available power source has reached a low-battery condition. When the battery reaches a critical low-battery condition, the battery light begins blinking quickly.
3	Drive light	On or blinking: The internal hard drive or an optical drive is being accessed.
4	Speakers	Produce stereo sound.
5	Display release latch	Opens the computer.

The external components on the right side of the computer are shown below and described in Table 1-2.

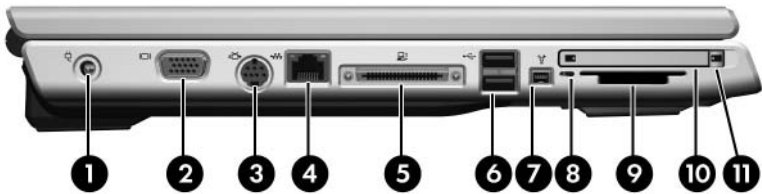


Right-Side Components

Table 1-2
Right-Side Components

Item	Component	Function
1	ExpressCard slot	Supports an optional ExpressCard.
2	Audio-out (headphone) jack	Connects an optional headphone or powered stereo speakers. Also connects the audio function of an audio/video device, such as a television or VCR.
3	Audio-in (microphone) jack	Connects an optional stereo microphone.
4	USB ports (2)	Connect optional USB devices.
5	Optical drive	Supports an optical disc, such as a CD or DVD.

The external components on the left side of the computer are shown below and described in Table 1-3.




Left-Side Components

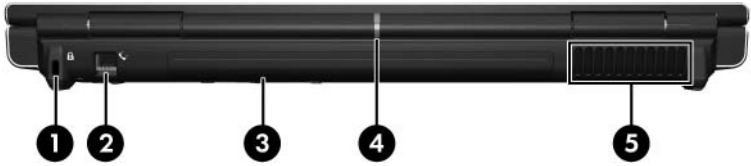
Table 1-3
Left-Side Components

Item	Component	Function
1	Power connector	Connects the AC adapter cable.
2	Monitor port	Connects an optional VGA monitor or projector.
3	S-Video-out jack	Connects the video function of an optional S-Video device, such as a television, VCR, or video capture card.
4	RJ-45 (network) jack	Connects a network cable (not included).

Table 1-3
Left-Side Components (*Continued*)




Item	Component	Function
5	Expansion port 2	Connects the computer to an optional docking device.  The computer has only one expansion port. The term <i>expansion port 2</i> describes the type of expansion port.
6	USB ports (2)	Connect optional USB devices.
7	1394 port (4-pin)	Connects an optional 1394a device such as a scanner, a digital camera, or a digital camcorder.
8	Digital Media Slot light	On: An optional digital card is being accessed.
9	Digital Media Slot	Supports the following optional digital cards: SD (Secure Digital) Memory Card, SD I/O Card, Memory Stick, Memory Stick Pro, MultiMediaCard, xD-Picture Card, and SmartMedia.
10	PC Card slot	Supports an optional Type I or Type II 32-bit (CardBus) or 16-bit PC Card.
11	PC Card eject button	Ejects PC Cards from the PC Card slot.

The external components on the rear panel of the computer are shown below and described in Table 1-4.

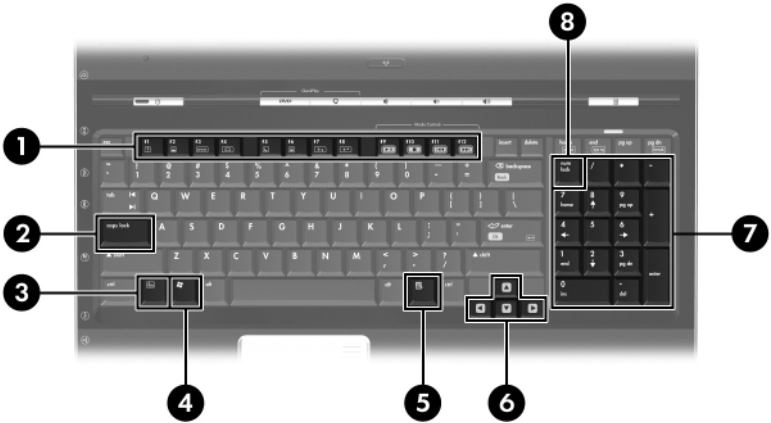


Rear Panel Components

Table 1-4
Rear Panel Components

Item	Component	Function
1	Security cable slot	<p>Attaches an optional security cable to the computer.</p> <p> The purpose of security solutions is to act as a deterrent. These solutions do not prevent the product from being mishandled or stolen.</p>
2	RJ-11 (modem) jack	Connects a modem cable (not included).
3	Battery bay	Holds a battery.
4	Wireless light	<p>On: One or more internal wireless devices have been turned on.</p> <p> To establish a wireless connection, a wireless network must already be set up.</p>
5	Vent	<p>Provides airflow to cool internal components.</p> <p> To prevent overheating, do not obstruct vents. Do not allow a hard surface, such as a printer, or a soft surface, such as pillows or thick rugs or clothing, to block airflow.</p>

The standard keyboard components of the computer are shown below and described in Table 1-5.

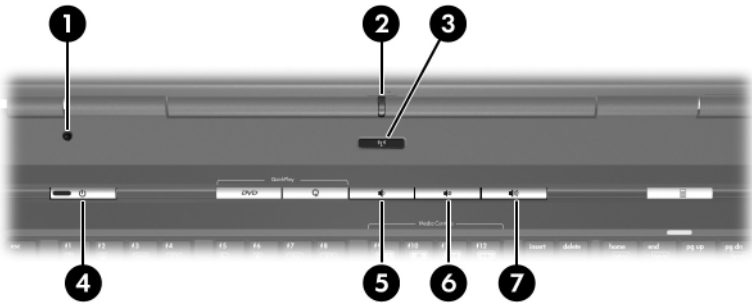


Standard Keyboard Components

Table 1-5
Standard Keyboard Components

Item	Component	Function
1	f1 to f12 keys (12)	Perform system and application tasks. When combined with fn , function keys perform additional tasks as hotkeys.
2	caps lock key	Enables caps lock and turns on the caps lock light.
3	fn key	Combines with other keys to perform system tasks as hotkeys. For example, pressing fn+f7 decreases screen brightness.
4	Windows logo key	Displays the Microsoft Windows Start menu.
5	Windows applications key	Displays a shortcut menu for items beneath the pointer.
6	Arrow keys	Move the cursor around the screen.
7	Numeric keypad keys (16)	Can be used like the keys on an external numeric keypad.
8	num lock key	Enables numeric lock, turns on the embedded numeric keypad, and turns on the num lock light.

The computer top components are shown below and described in Table 1-6.



Top Components

Table 1-6
Top Components



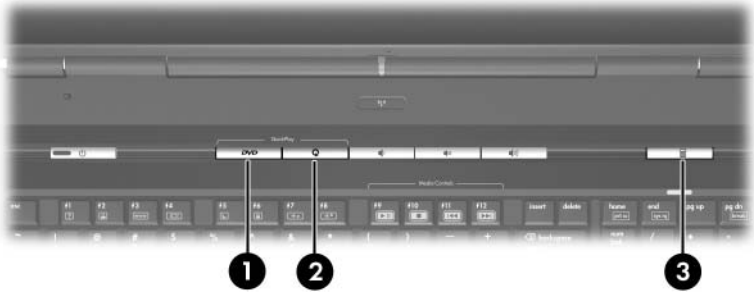
Item	Component	Function
1	Display switch	Initiates standby if the display is closed when the computer is on.
2	Wireless light	On: One or more internal wireless devices have been turned on.  To establish a wireless connection, a wireless network must already be set up.

Table 1-6
Top Components (*Continued*)

Item	Component	Function
3	Wireless button	<p>Turns the wireless functionality on or off, but does not create a wireless connection.</p> <p> To establish a wireless connection, a wireless network must already be set up.</p>
4	<p>Power light</p> <p>Power button</p>	<p>■ On: The computer is on.</p> <p>■ Blinking: The computer is in standby.</p> <p>■ Off: The computer is off or in hibernation.</p> <p>When the computer is</p> <p>■ Off, press to turn on the computer.</p> <p>■ On, press to enter hibernation.</p> <p>■ In standby, briefly press to exit standby.</p> <p>■ In hibernation, briefly press to exit hibernation.</p> <p>If the computer has stopped responding and Microsoft® Windows® shutdown procedures cannot be used, press and hold the power button for at least 5 seconds to turn off the computer.</p>
5	Volume down button	Decreases system volume.
6	Volume mute button	Mutes or restores volume.
7	Volume up button	Increases system volume.

The Quick Play and Quick Launch buttons are shown below and described in Table 1-7.



Top Components


Table 1-7

QuickPlay and Quick Launch Button Components

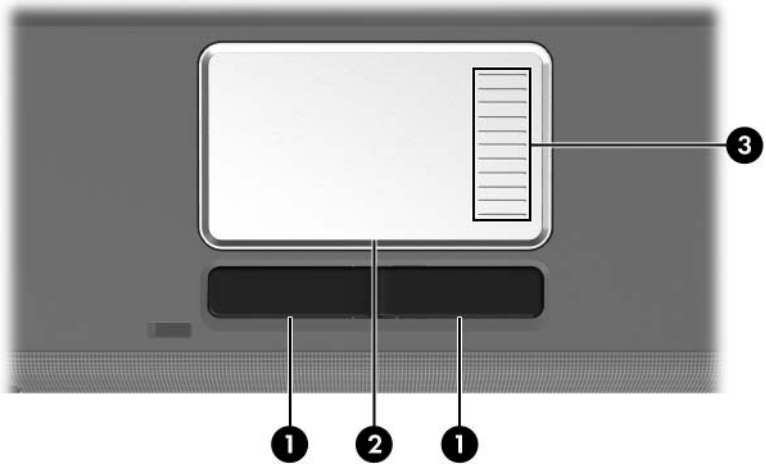
Item	Component	Function
1	DVD button	<p>Default button functions without QuickPlay software:</p> <p>When the computer is</p> <ul style="list-style-type: none"> ■ On: Opens the default DVD application to start a DVD in the optical drive. ■ Off: No function. ■ In standby: Resumes from standby into Windows. ■ In hibernation: Restores from hibernation into Windows. <p>Button functions with QuickPlay software:</p> <p>When the computer is</p> <ul style="list-style-type: none"> ■ On: Opens the default DVD application to start a DVD in the optical drive. ■ Off: Opens QuickPlay to start a DVD in the optical drive. ■ In standby: Resumes from standby into Windows. ■ In hibernation: Restores from hibernation into Windows.

Table 1-7

QuickPlay and Quick Launch Button Components (*Continued*)

Item	Component	Function
2	Media Button	<p>Default button functions without QuickPlay software:</p> <p>When the computer is</p> <ul style="list-style-type: none"> ■ On: Opens the music application or the Media menu, allowing you to select a multimedia application. ■ Off: No function. ■ In standby: Resumes from standby into Windows. ■ In hibernation: Restores from hibernation into Windows. <p>Button functions with QuickPlay software:</p> <p>When the computer is</p> <ul style="list-style-type: none"> ■ On: Opens the music application or the Media menu, allowing you to select a multimedia application. ■ Off: Opens the music application or the Media menu, allowing you to select a multimedia application. ■ In standby: Resumes from standby into Windows. ■ In hibernation: Restores from hibernation into Windows.
3	Quick Launch calculator button	<p>Opens the Microsoft Windows calculator. This button can also be reassigned to an Internet or network destination or to any software application or data file.</p> <p> When you press the Quick Launch calculator button, num lock is enabled.</p>

The computer TouchPad components are shown below and described in Table 1-8.



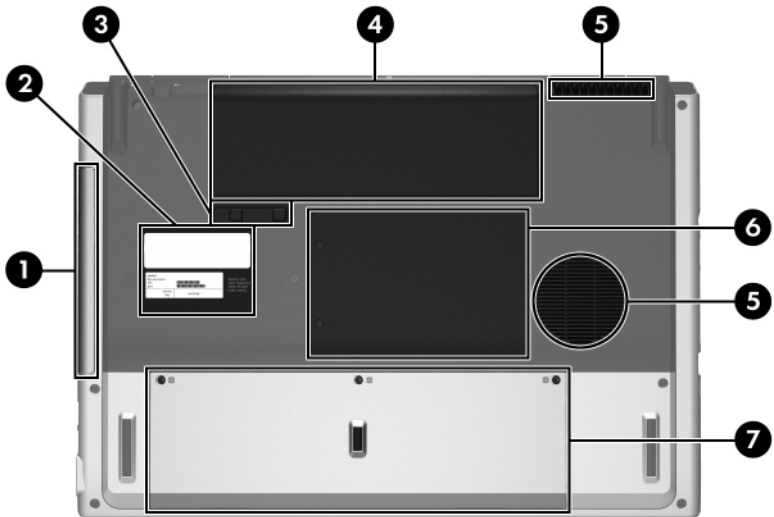
TouchPad Components

Table 1-8

TouchPad Components

Item	Component	Function
1	Left and right TouchPad buttons	Function like the left and right buttons on an external mouse.
2	TouchPad	Moves the pointer and selects or activates items on the screen. Can be set to perform other mouse functions, such as scrolling, selecting, and double-clicking.
3	TouchPad vertical scroll zone	Scrolls up or down.

The external components on the bottom of the computer are shown below and described in Table 1-9.





Bottom Components

Table 1-9
Bottom Components

Item	Component	Function
1	Optical drive	Supports an optical disc, such as a CD or DVD.
2	Labels area	Contains the serial number and other information labels.
3	Battery release latch	Releases a battery from the battery bay.
4	Battery bay	Holds a battery.

Table 1-9
Bottom Components (*Continued*)

Item	Component	Function
5	Vents (2)	<p>Provide airflow to cool internal components.</p> <p> To prevent overheating, do not obstruct vents. Do not allow a hard surface, such as a printer, or a soft surface, such as pillows or thick rugs or clothing, to block airflow.</p>
6	Memory/Mini PCI module compartment cover	<ul style="list-style-type: none"> <li data-bbox="525 613 948 748">■ Contains 2 memory module slots that support replaceable memory modules. The number of preinstalled memory modules varies by computer model. <li data-bbox="525 760 887 813">■ Holds an optional wireless LAN device (select models only). <p> To prevent an unresponsive system and the display of a warning message, install only a Mini PCI device authorized for use in your computer by the governmental agency that regulates wireless devices in your country. If you install an unauthorized device and then receive a warning message, remove the device to restore computer functionality. Then contact Customer Care.</p>
7	Hard drive bay	Holds the internal hard drive.

1.5 Design Overview

This section presents a design overview of key parts and features of the computer. Refer to [Chapter 3, “Illustrated Parts Catalog,”](#) to identify replacement parts, and [Chapter 5, “Removal and Replacement Procedures,”](#) for disassembly steps.

The system board provides the following device connections:

- AMD Turion 64 processors
- AMD Mobile Sempron processors
- Audio
- Digital media card
- Display
- ExpressCard
- Hard drive
- Keyboard
- Memory module
- Mini Card devices
- Mini PCI communications devices
- PC Card
- TouchPad



CAUTION: To properly ventilate the computer, allow at least a 7.6-cm (3-inch) clearance on the left and right sides of the computer.

The computer uses an electric fan for ventilation. The fan is controlled by a temperature sensor and is designed to turn on automatically when high temperature conditions exist. These conditions are affected by high external temperatures, system power consumption, power management/battery conservation configurations, battery fast charging, and software. Exhaust air is displaced through the ventilation grill located on the left side of the computer.

Troubleshooting



WARNING: Only authorized technicians trained by HP should repair this equipment. All troubleshooting and repair procedures are detailed to allow only subassembly-/module-level repair. Because of the complexity of the individual boards and subassemblies, do not attempt to make repairs at the component level or modifications to any printed wiring board. Improper repairs can create a safety hazard. Any indication of component replacement or printed wiring board modification may void any warranty or exchange allowances.

2.1 Computer Setup

Computer Setup is a system information and customization utility that can be used even when the operating system is not working or will not load. This utility includes settings that are not available in Windows.

Using Computer Setup

Information and settings in Computer Setup are accessed from the File, Security, Diagnostics, or System Configuration menus:

1. Turn on or restart the computer. Press **f10** while the F10 = ROM-Based Setup message is displayed in the lower-left corner of the screen.
 - ❑ To change the language, use the cursor control keys to navigate to the **System Configuration** menu.
 - ❑ To view navigation information, press **f1**.
 - ❑ To return to the Computer Setup menu, press **esc**.

2. Select the **File, Security, Diagnostics, or System Configuration** menu.
3. To close Computer Setup and restart the computer:
 - Select **File > Save changes and exit**, and then press **enter**.
 - or –
 - Select **File > Ignore changes and exit**, and then press **enter**.
 - or –
 - Select **File > Restore defaults**, and then press **enter**.
4. When you are prompted to confirm your action, press **f10**.



Selecting from the File Menu

Table 2-1
File Menu

Select	To Do This
System Information	<ul style="list-style-type: none">■ View identification information about the computer, processor, memory and cache size, and system ROM.■ View BIOS revision, keyboard controller version, and battery pack serial number information.

Selecting from the Security Menu

Table 2-2
Security Menu

Select	To Do This
Setup Password	Enter, change, or delete an Setup password.
Power-On Password	Enter, change, or delete a power-on password.
Password Options (Password options can be selected only when a power-on password has been set.)	Enable/disable: <ul style="list-style-type: none"> ■ Stringent security. ■ Requirement of password on restart.
DriveLock Passwords	Enable/disable DriveLock; change a DriveLock user or master password.  DriveLock Settings are accessible only when you enter Computer Setup by turning on (not restarting) the computer.
Smart Card Security	Enable/disable smart card power-on support.  A setup password must be established to use this feature.
TPM Embedded Security	Enable/disable: <ul style="list-style-type: none"> ■ Embedded security device state. ■ Power-on authentication support. ■ Automatic DriveLock support.
System IDs	Establish: <ul style="list-style-type: none"> ■ Notebook asset tracking number. ■ Notebook ownership tags.
Disk Sanitizer	Establish fast, optimum, or custom settings for disk sanitizing.

*Not applicable to SuperDisk LS-120 drives.

Selecting from the Diagnostics Menu

Table 2-3
Diagnostics Menu

Select	To Do This
HDD Self-Test Options	Run a quick comprehensive self test on hard drives in the system that support the test features.
Memory Check	Run a quick comprehensive test on system memory on the following categories: <ul style="list-style-type: none">■ Walking 0s■ Walking 1s■ High Address line testing■ Alternate Pattern testing

Selecting from the System Configuration Menu

Table 2-4
System Configuration Menu

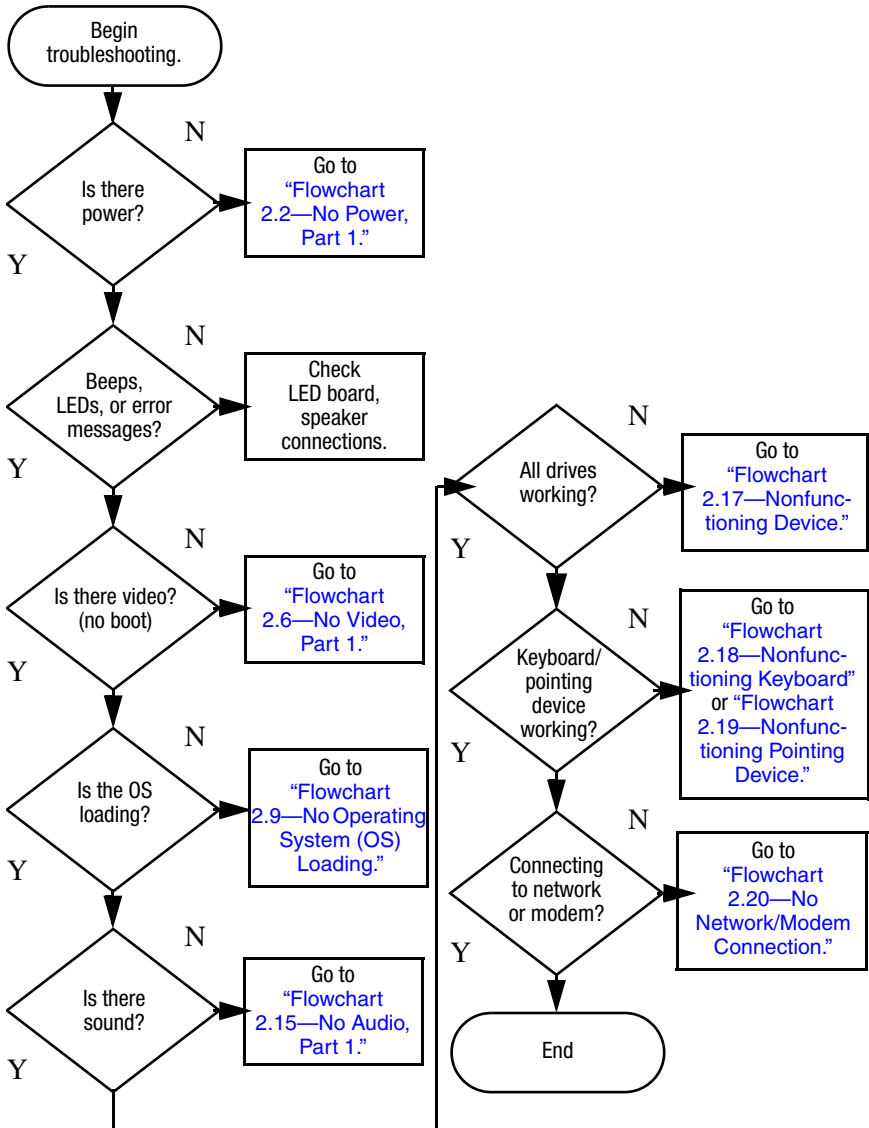
Select	To Do This
Language	Change the Computer Setup language.
Boot Options	Enable/disable MultiBoot, which sets a startup sequence that can include most bootable devices and media in the system.
Device Configurations	Enable/disable: <ul style="list-style-type: none"> ■ Swap Fn/Ctrl keys. ■ USB legacy support. ■ BIOS DMA data transfers. ■ Fan Always on while on AC Power. ■ Data Execution Prevention. ■ LAN Power save.
Built-In Device Options	Enable/disable: <ul style="list-style-type: none"> ■ Embedded WLAN Device Radio. ■ Embedded Bluetooth Device Radio. ■ LAN/WLAN Switching. ■ Wake on LAN from Off.
Port Options	Enable/disable: <ul style="list-style-type: none"> ■ USB Port. ■ 1394 Port. ■ CardBus Slot.

2.2 Troubleshooting Flowcharts

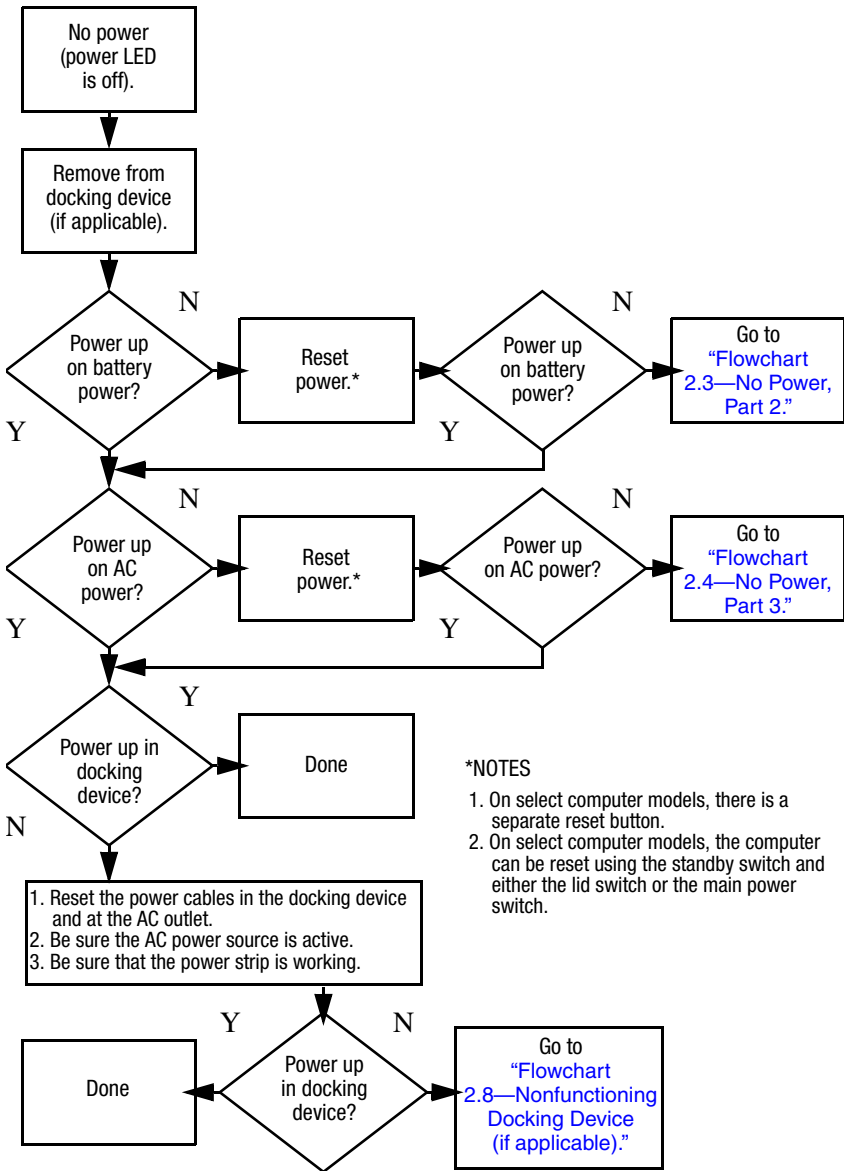
Table 2-5
Troubleshooting Flowcharts Overview

Flowchart	Description
2.1	"Flowchart 2.1—Initial Troubleshooting"
2.2	"Flowchart 2.2—No Power, Part 1"
2.3	"Flowchart 2.3—No Power, Part 2"
2.4	"Flowchart 2.4—No Power, Part 3"
2.5	"Flowchart 2.5—No Power, Part 4"
2.6	"Flowchart 2.6—No Video, Part 1"
2.7	"Flowchart 2.7—No Video, Part 2"
2.8	"Flowchart 2.8—Nonfunctioning Docking Device (if applicable)"
2.9	"Flowchart 2.9—No Operating System (OS) Loading"
2.10	"Flowchart 2.10—No OS Loading, Hard Drive, Part 1"
2.11	"Flowchart 2.11—No OS Loading, Hard Drive, Part 2"
2.12	"Flowchart 2.12—No OS Loading, Hard Drive, Part 3"
2.13	"Flowchart 2.13—No OS Loading, Diskette Drive"
2.14	"Flowchart 2.14—No OS Loading, Optical Drive"
2.15	"Flowchart 2.15—No Audio, Part 1"
2.16	"Flowchart 2.16—No Audio, Part 2"
2.17	"Flowchart 2.17—Nonfunctioning Device"
2.18	"Flowchart 2.18—Nonfunctioning Keyboard"
2.19	"Flowchart 2.19—Nonfunctioning Pointing Device"
2.20	"Flowchart 2.20—No Network/Modem Connection"

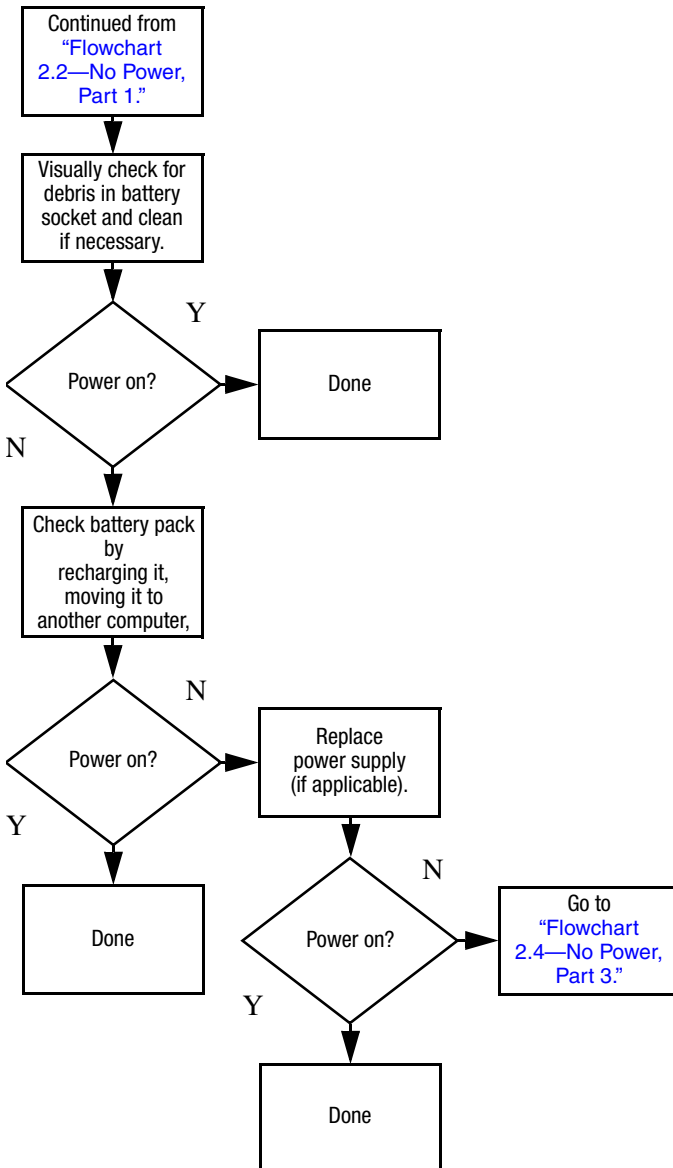
Flowchart 2.1 – Initial Troubleshooting



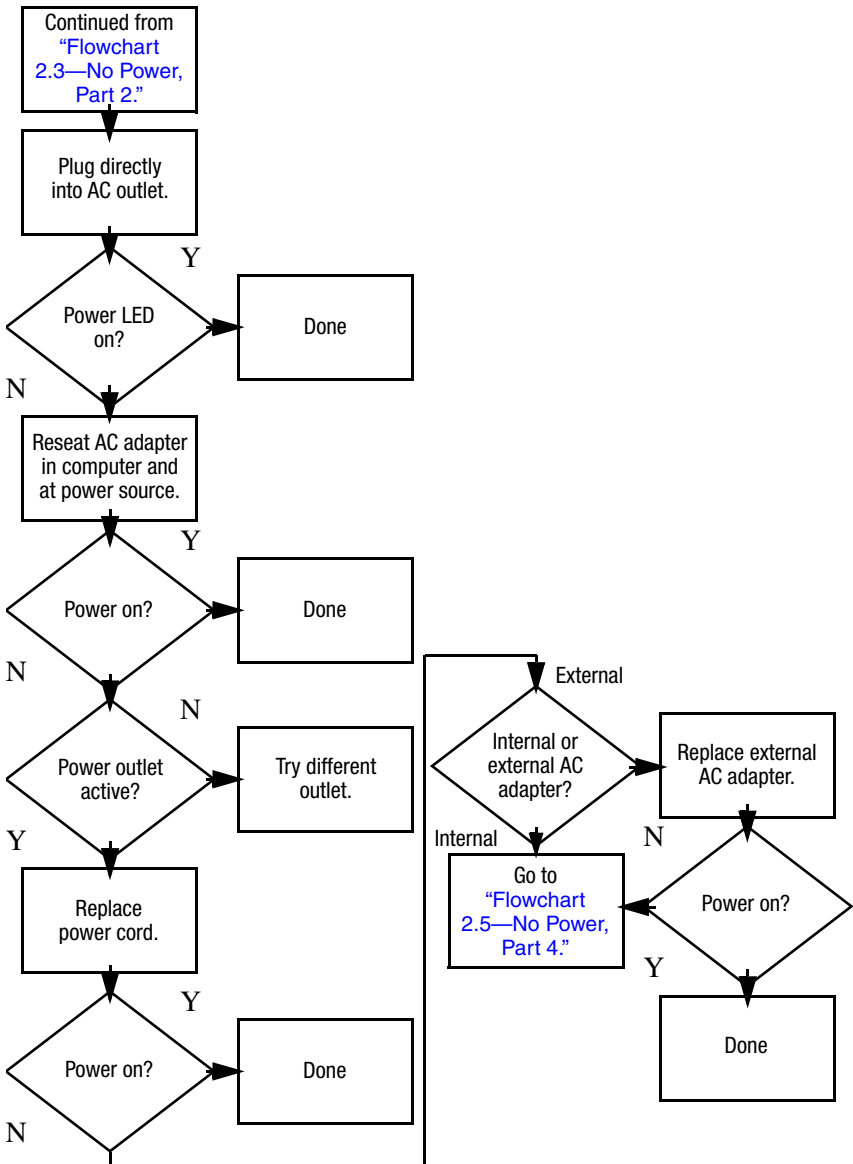
Flowchart 2.2—No Power, Part 1



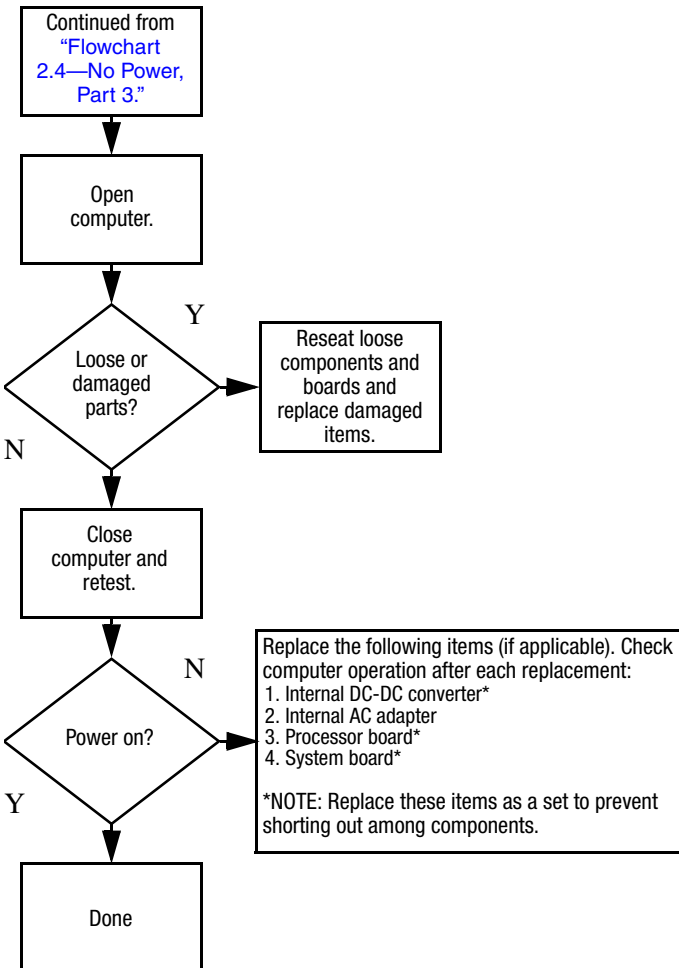
Flowchart 2.3—No Power, Part 2



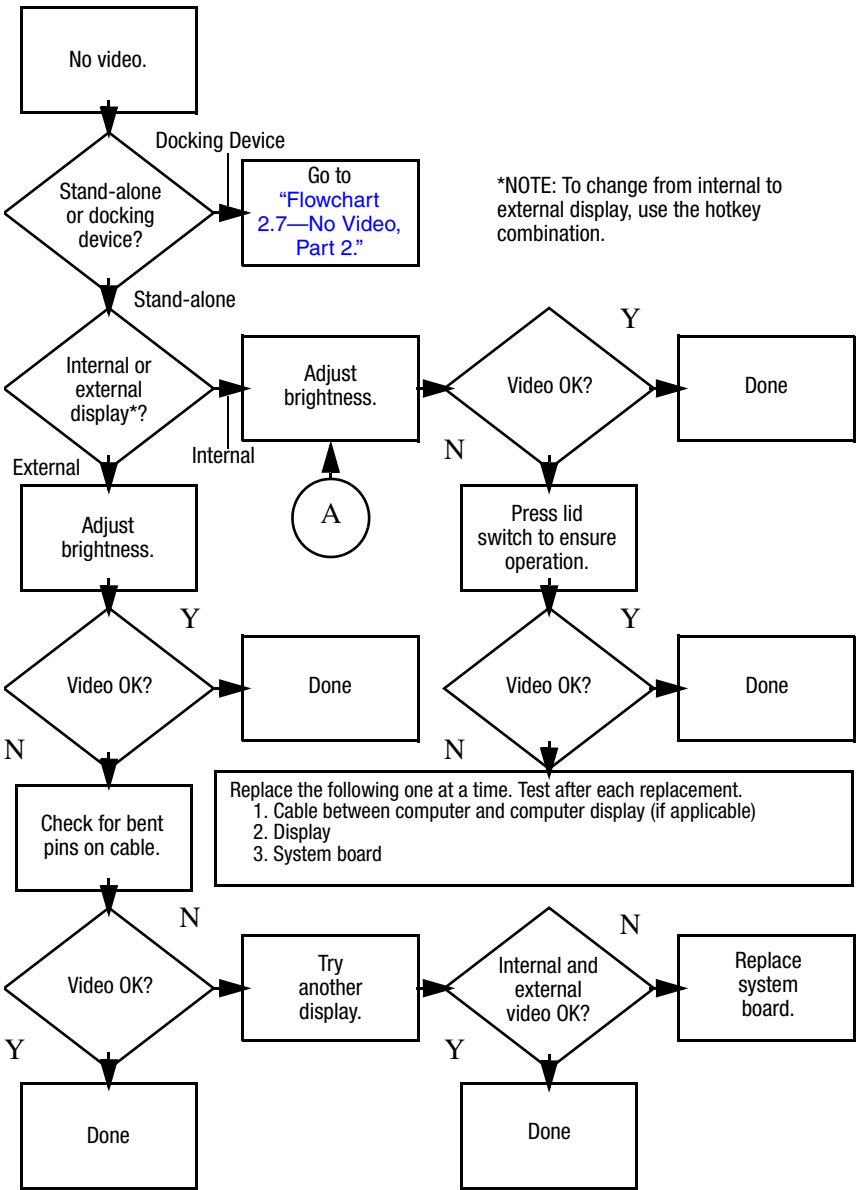
Flowchart 2.4—No Power, Part 3



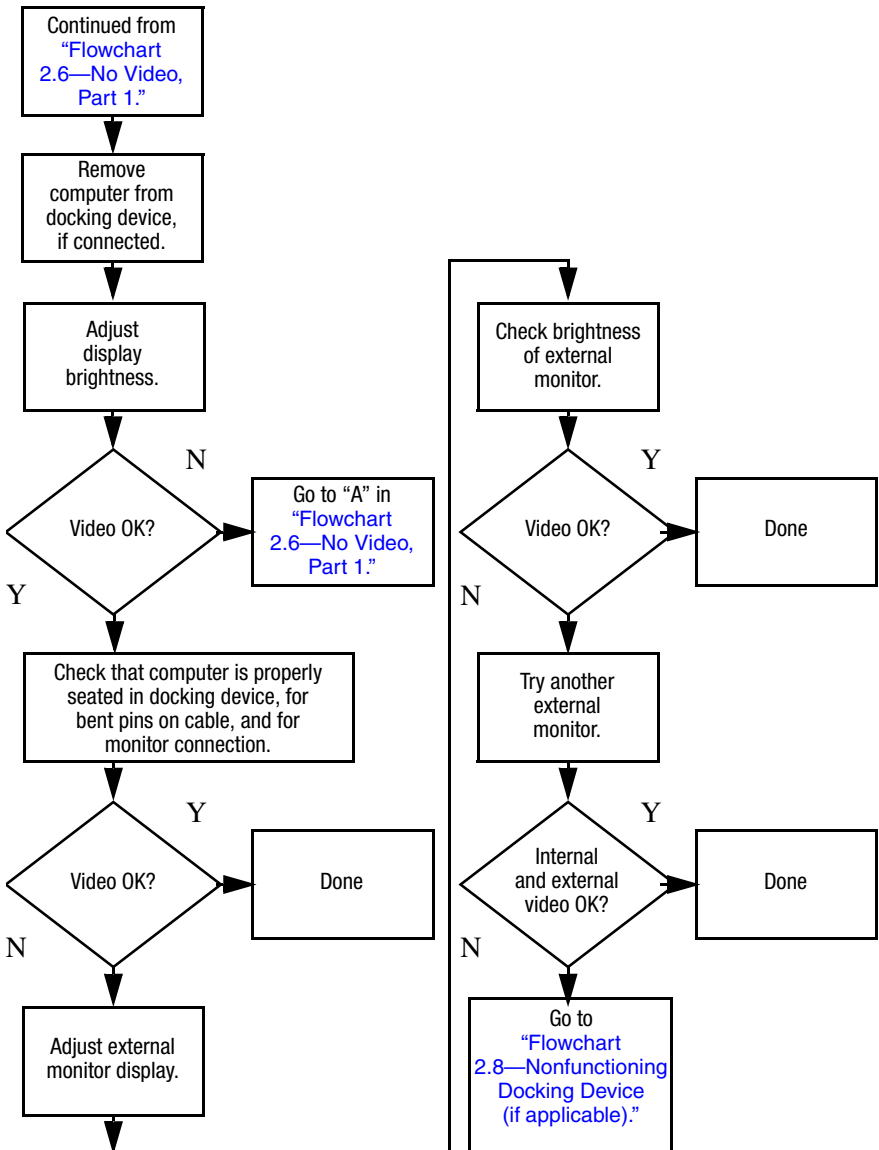
Flowchart 2.5—No Power, Part 4



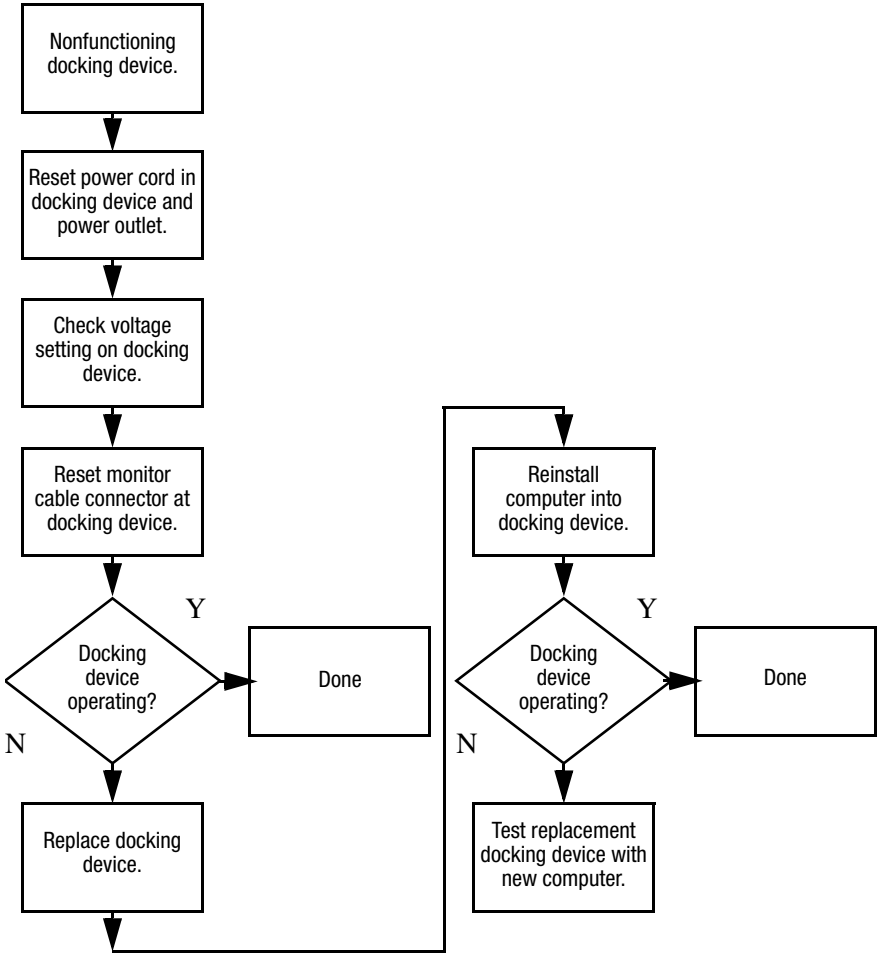
Flowchart 2.6—No Video, Part 1



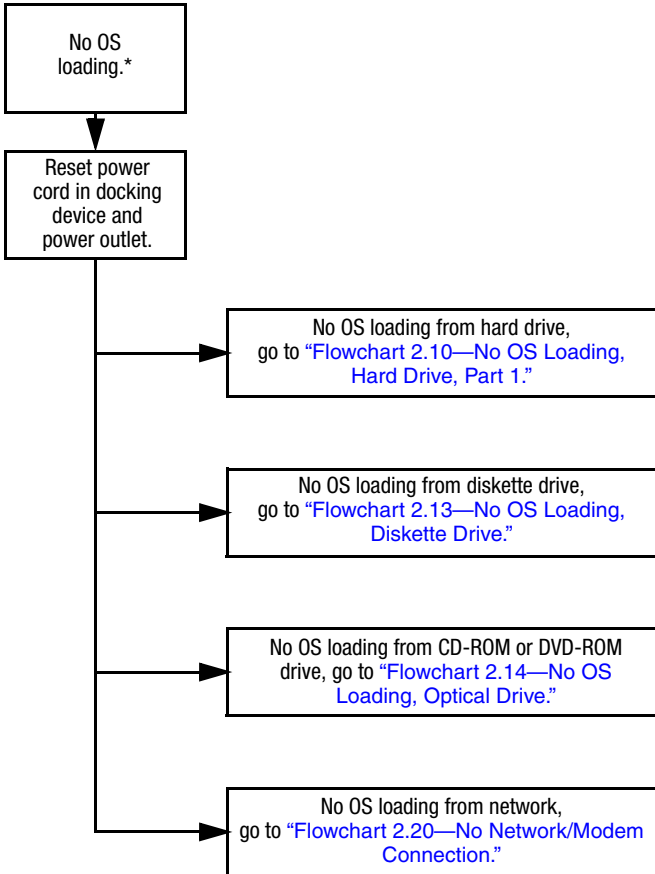
Flowchart 2.7—No Video, Part 2



Flowchart 2.8—Nonfunctioning Docking Device (if applicable)

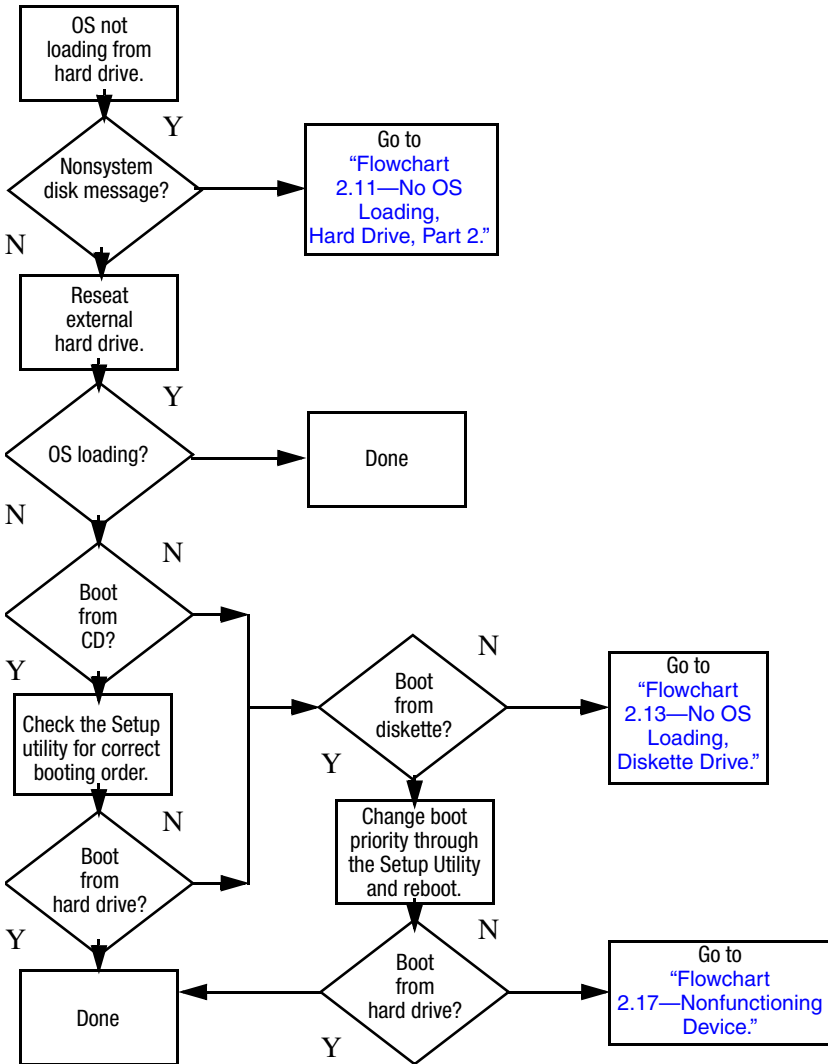


Flowchart 2.9—No Operating System (OS) Loading

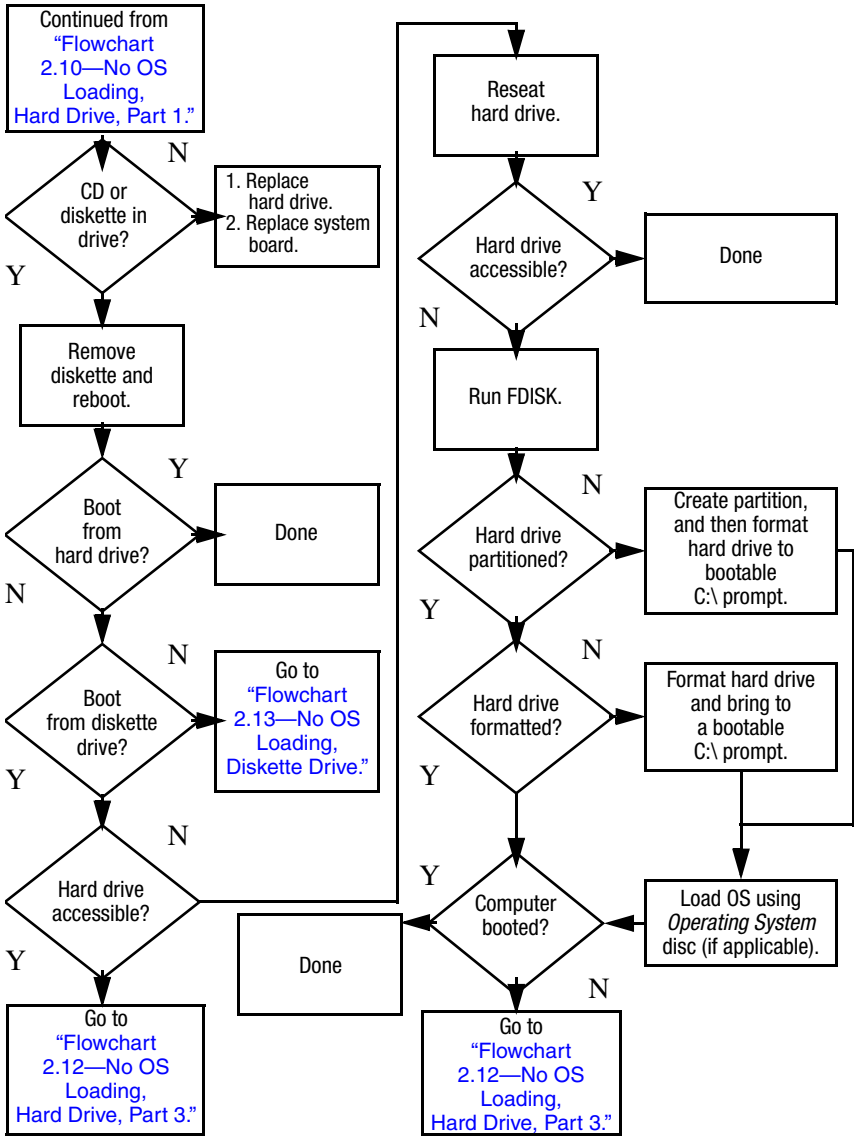


*NOTE: Before beginning troubleshooting, always check cable connections, cable ends, and drives for bent or damaged pins.

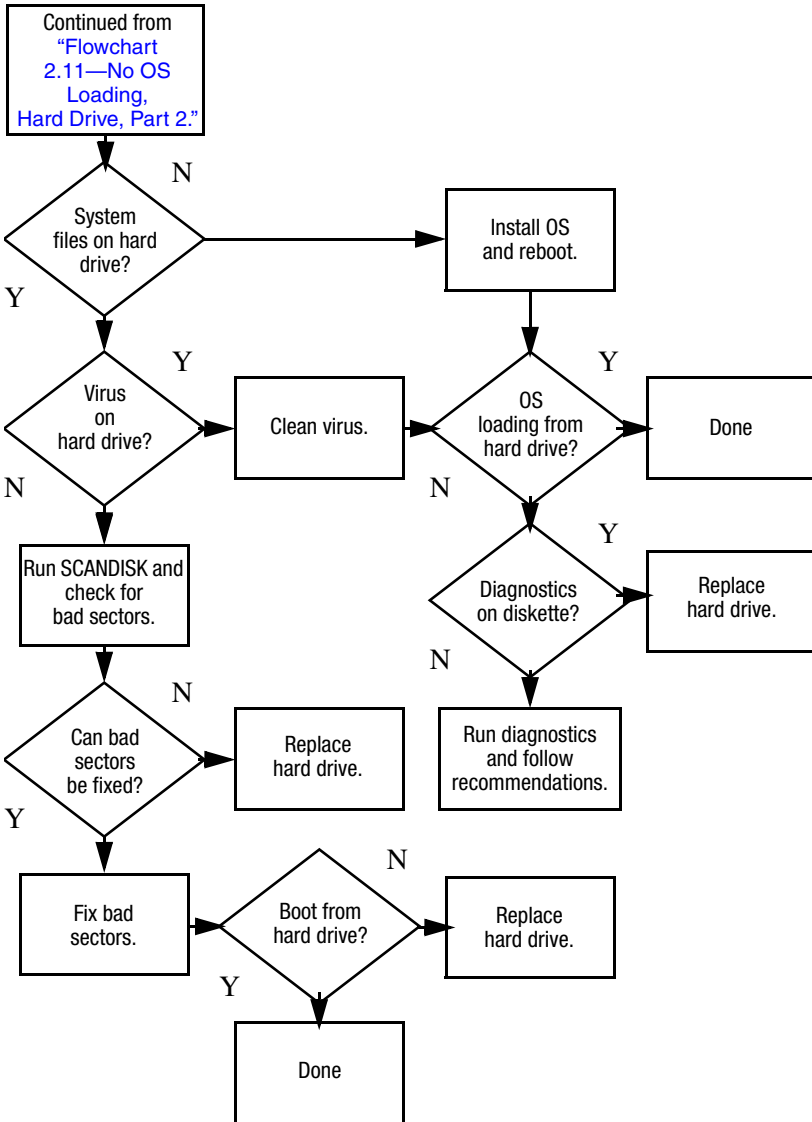
Flowchart 2.10—No OS Loading, Hard Drive, Part 1



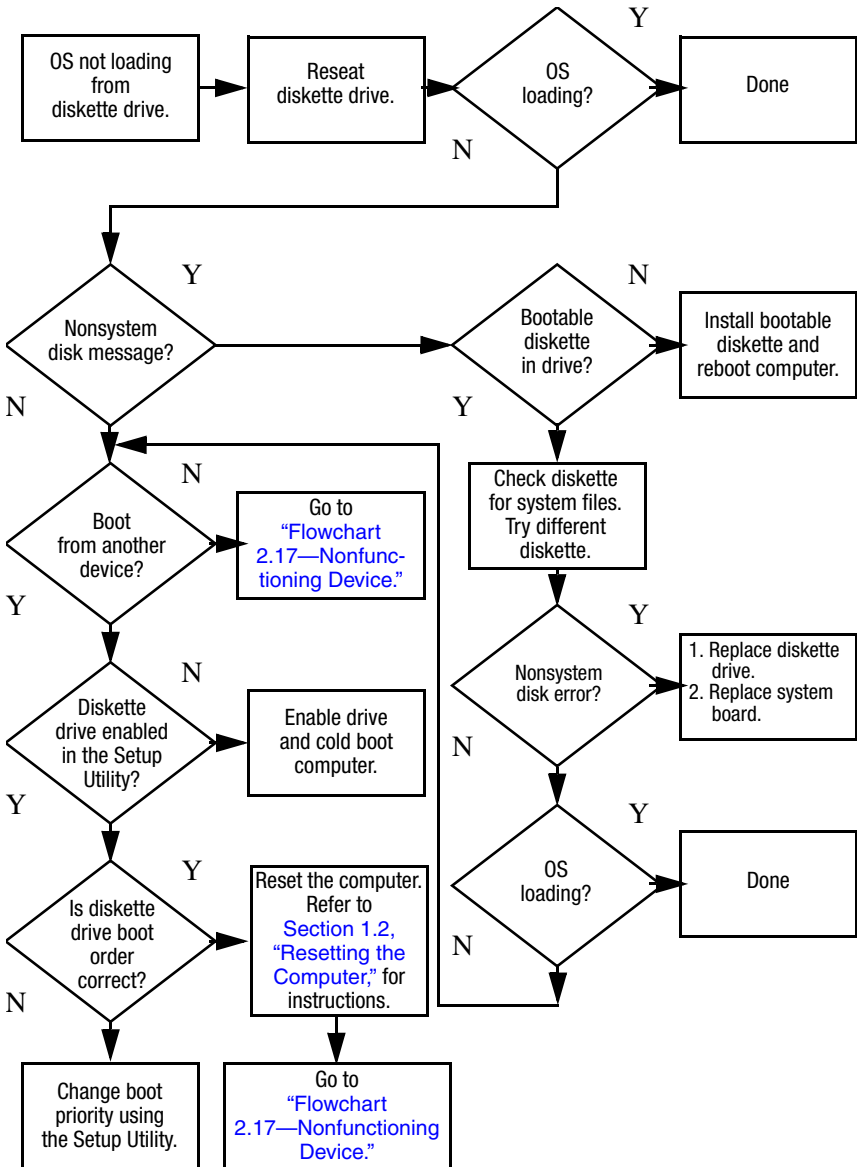
Flowchart 2.11 – No OS Loading, Hard Drive, Part 2



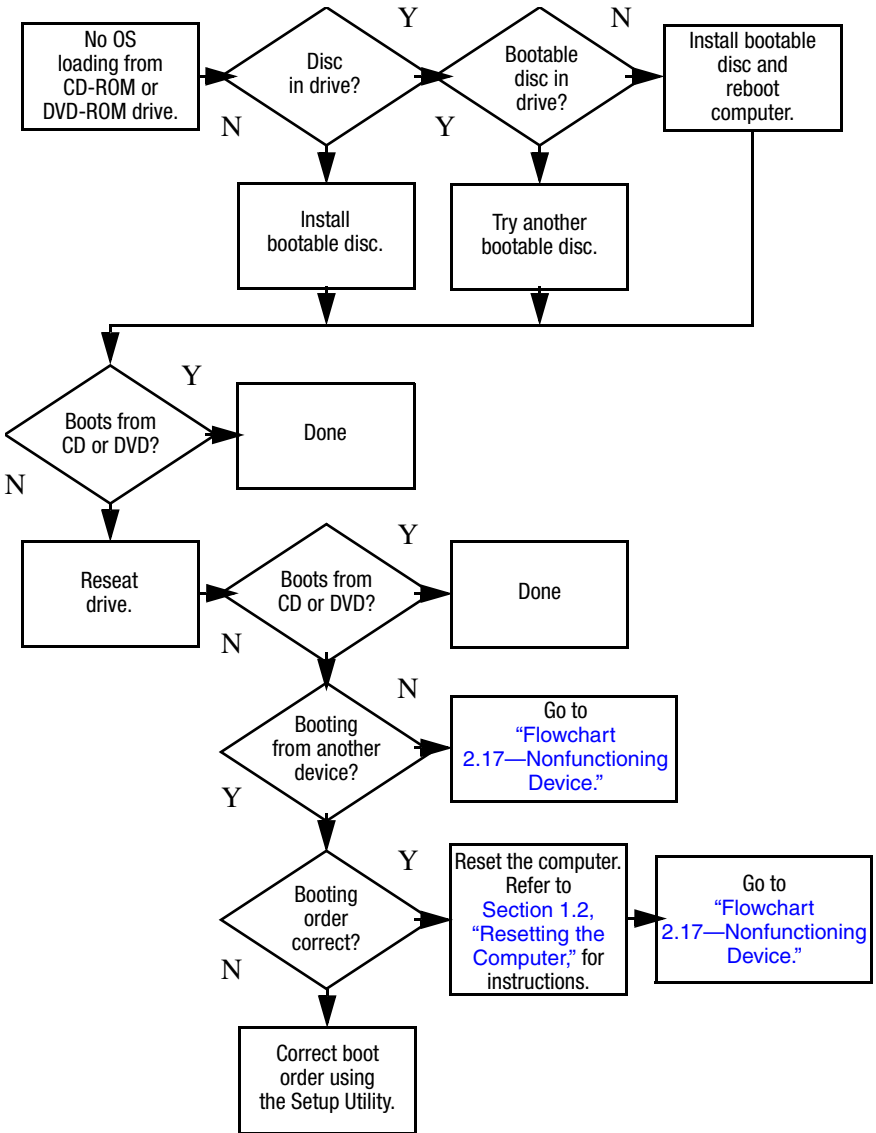
Flowchart 2.12—No OS Loading, Hard Drive, Part 3



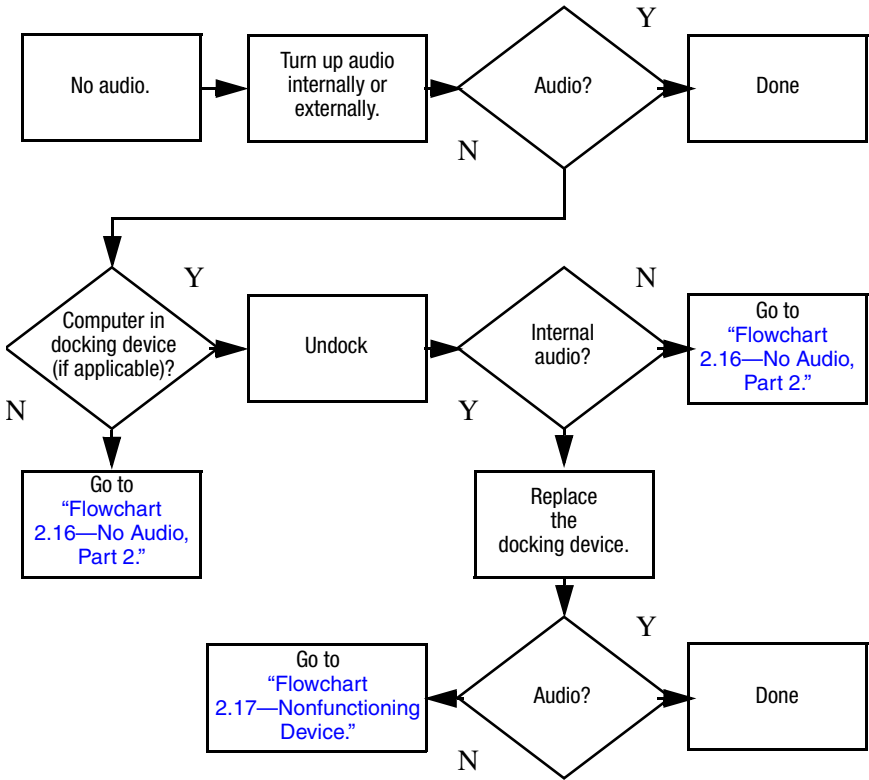
Flowchart 2.13—No OS Loading, Diskette Drive



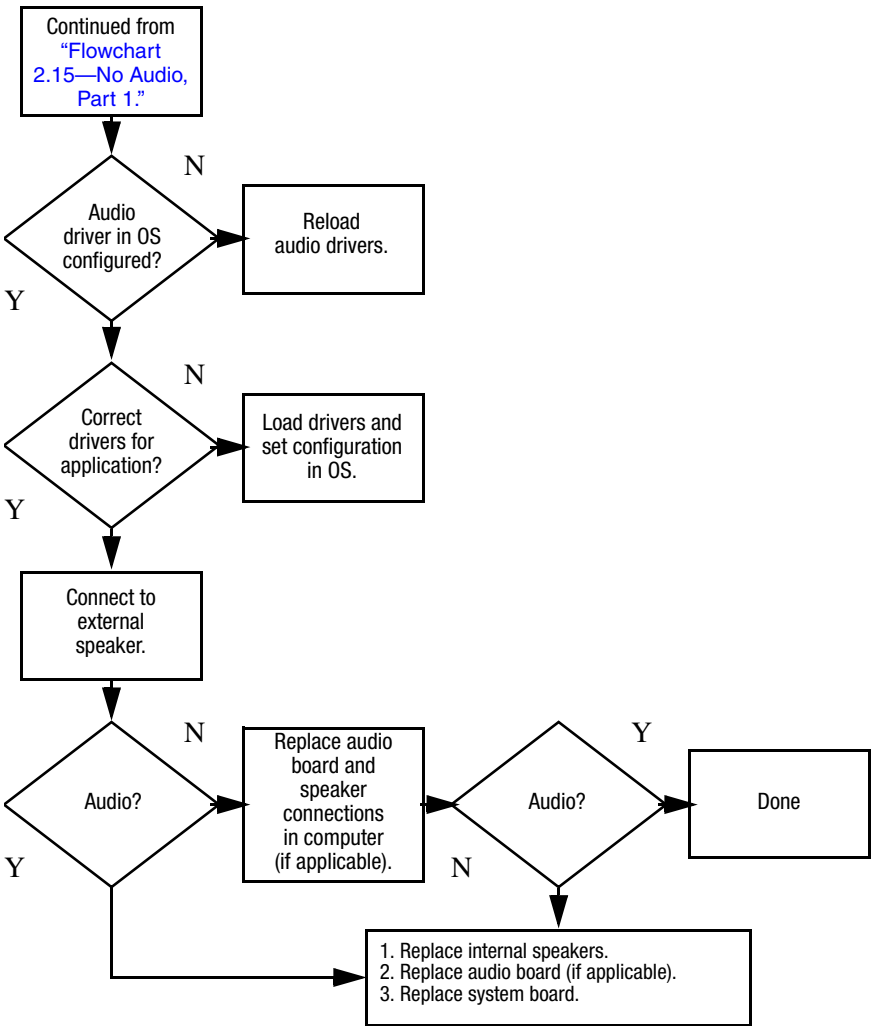
Flowchart 2.14—No OS Loading, Optical Drive



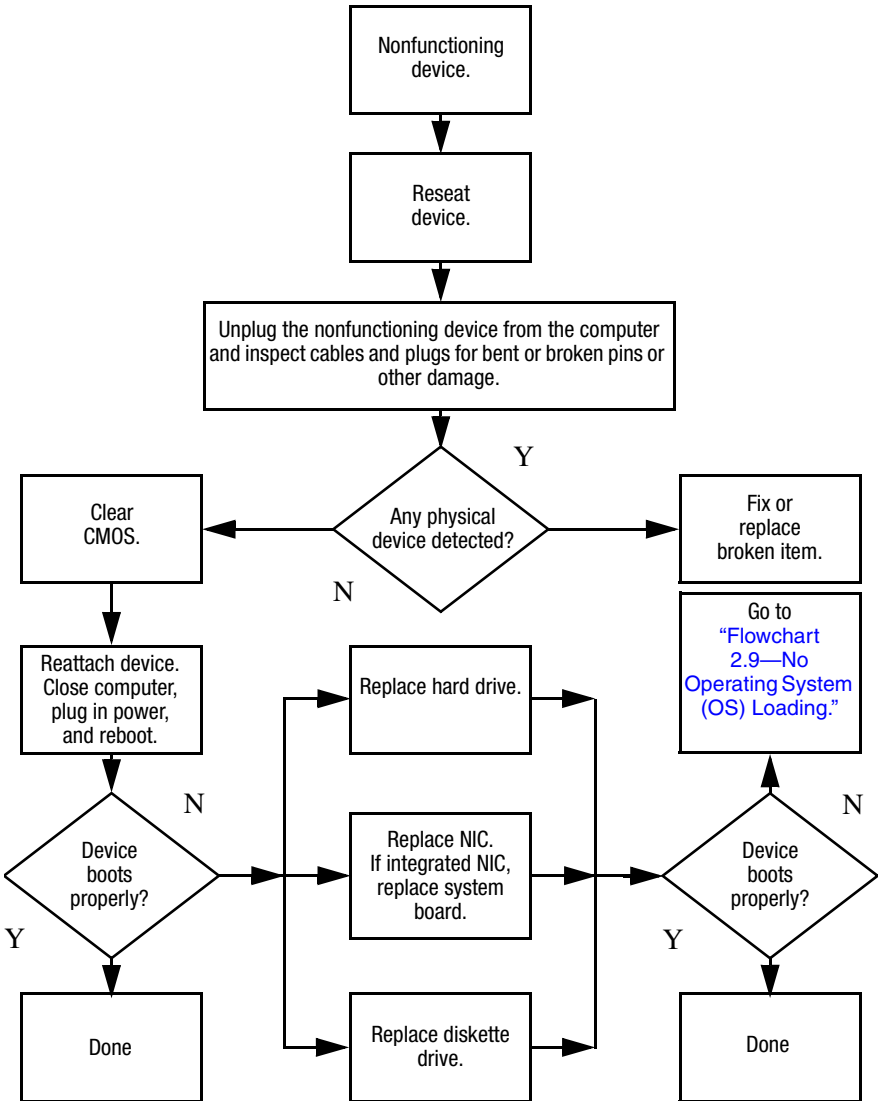
Flowchart 2.15—No Audio, Part 1



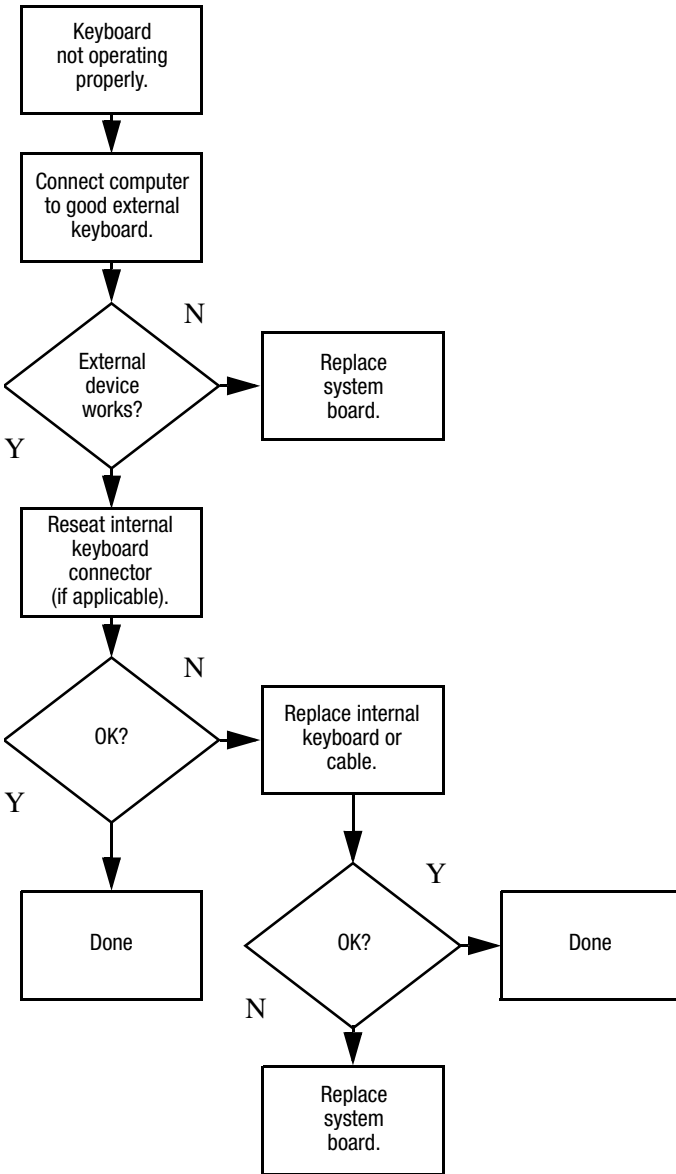
Flowchart 2.16—No Audio, Part 2



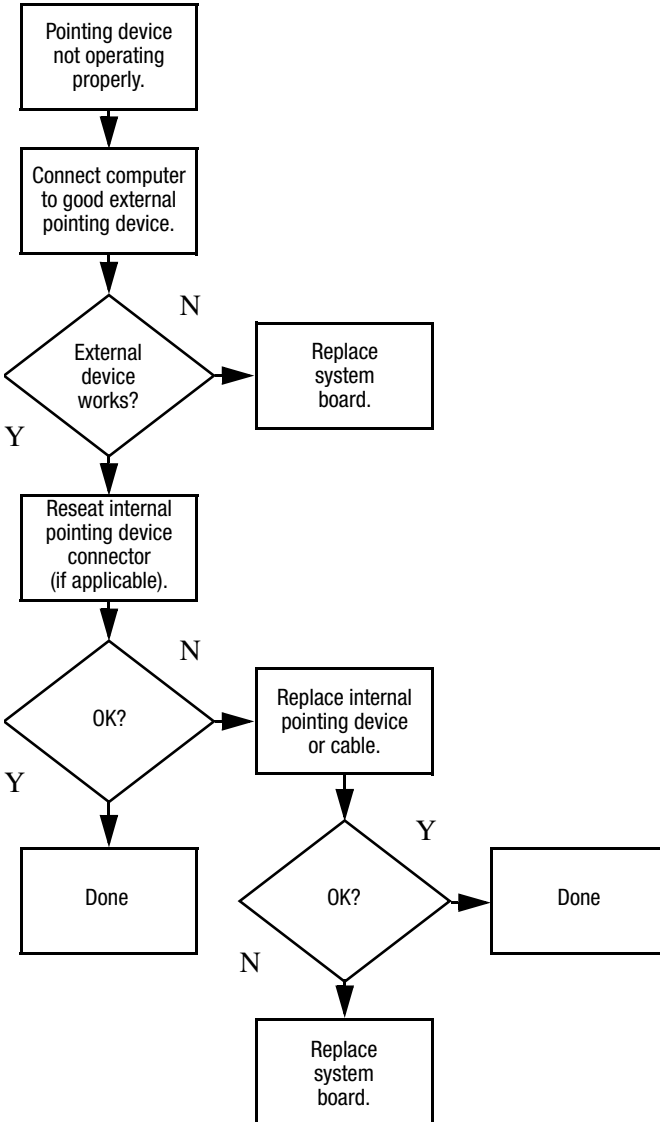
Flowchart 2.17—Nonfunctioning Device



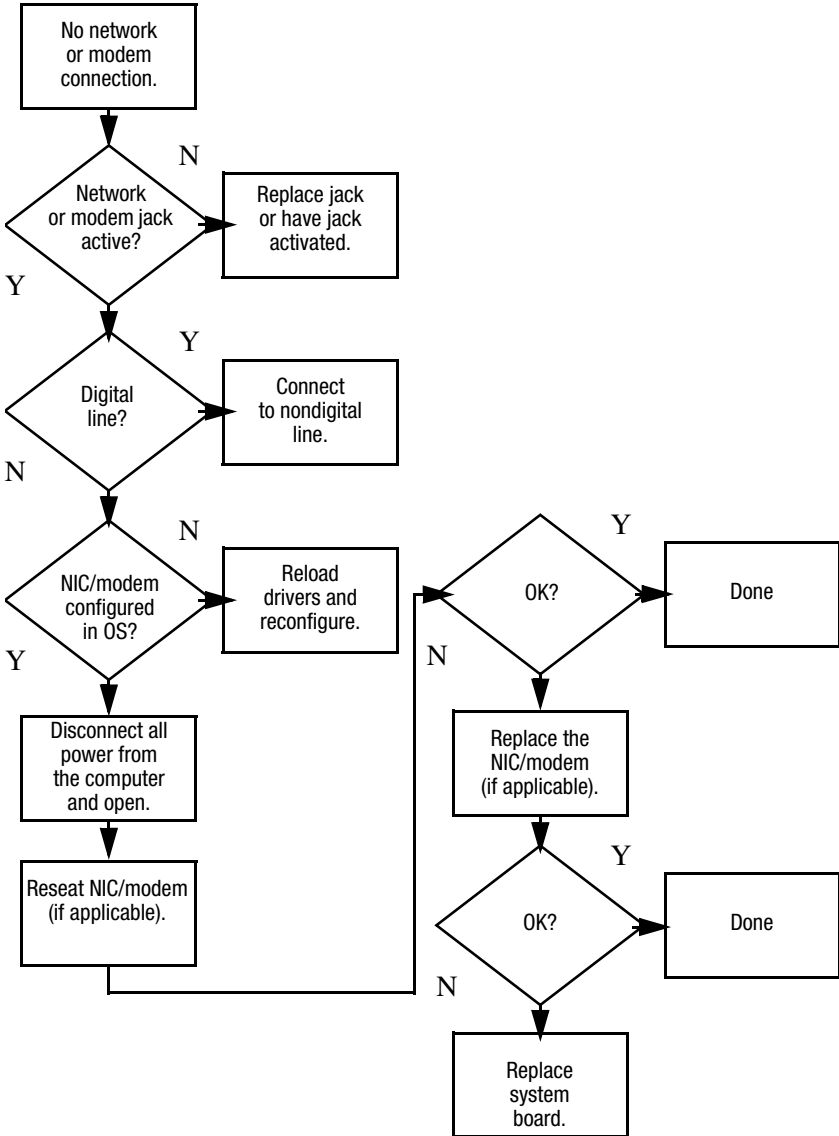
Flowchart 2.18—Nonfunctioning Keyboard



Flowchart 2.19—Nonfunctioning Pointing Device



Flowchart 2.20—No Network/Modem Connection



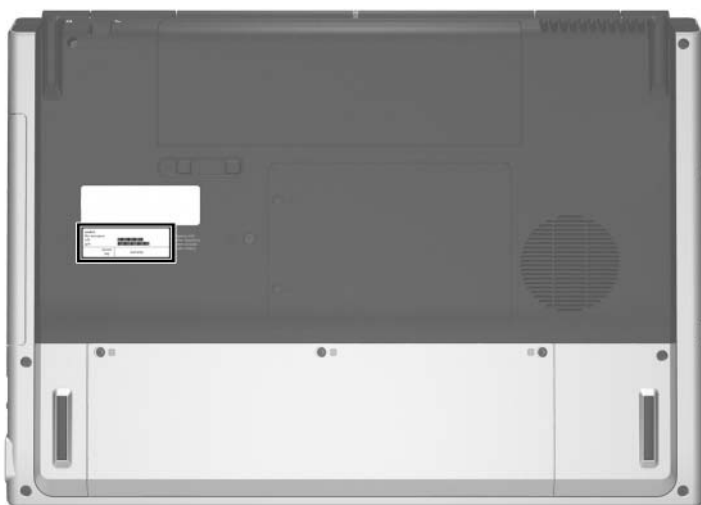
3

Illustrated Parts Catalog

This chapter provides an illustrated parts breakdown and a reference for spare part numbers.

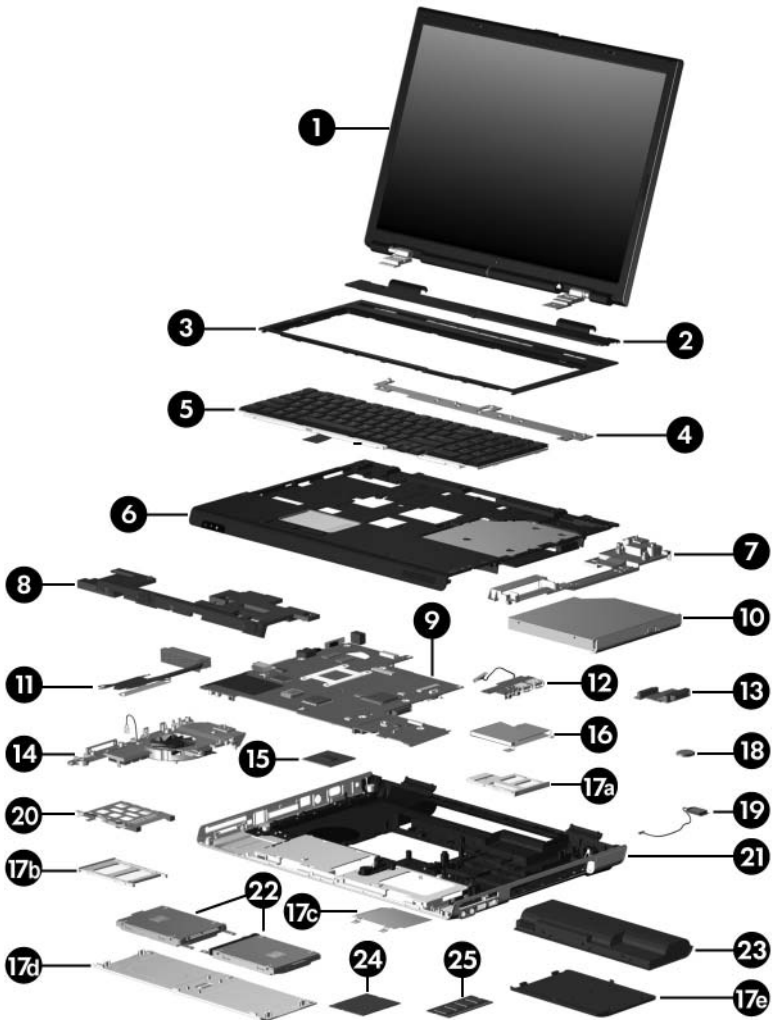
3.1 Serial Number Location

When ordering parts or requesting information, provide the computer serial number and model number located on the bottom of the computer.




Serial Number Location

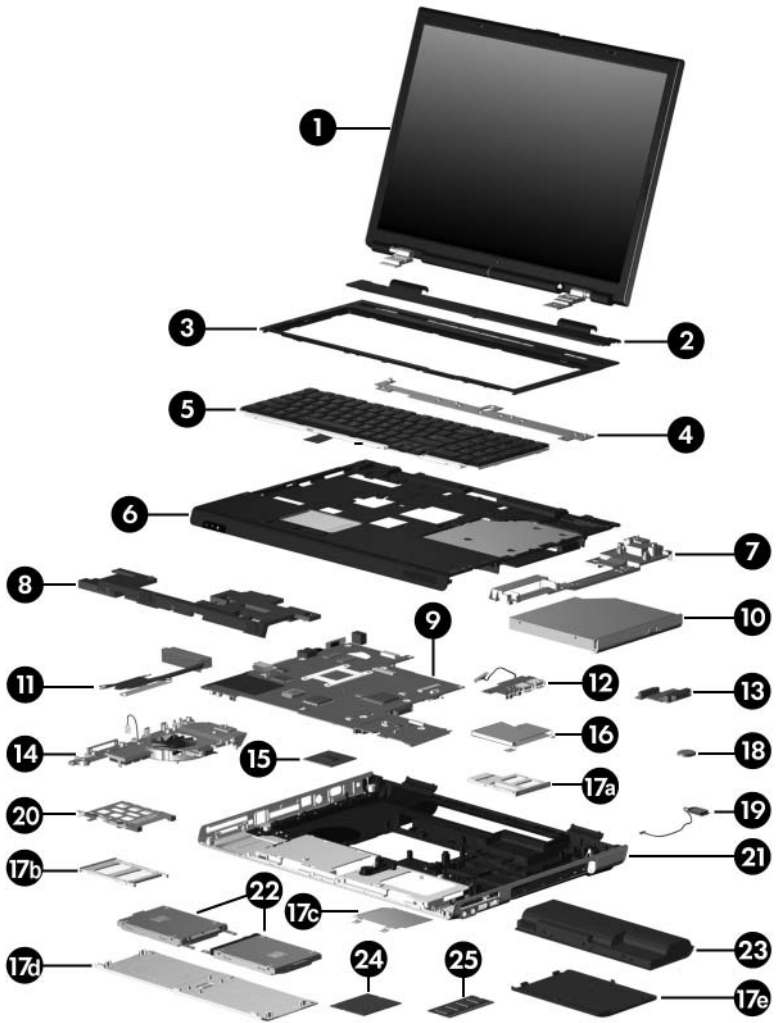
3.2 Computer Major Components



Computer Major Components

Table 3-1
Spare Parts: Computer Major Components

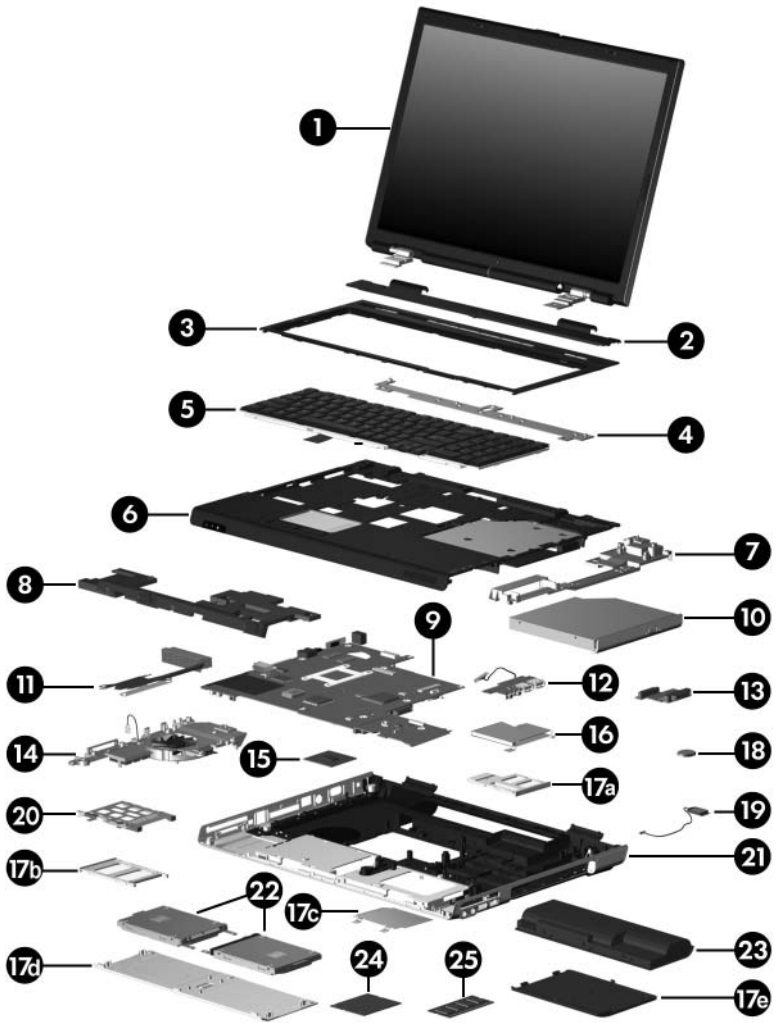
Item	Description	Spare Part Number
1	Display assemblies (include display cable, wireless antenna boards, and antenna cables)	
	17-inch, WSXGA+, TFT, single-lamp with BrightView	403797-001
	17-inch, WXGA+, TFT, single-lamp with BrightView	403796-001
	 Refer to Section 3.3, "Display Assembly Subcomponents," for display assembly internal component spare part number information.	
2	Switch cover (includes LED board and LED board cable)	403817-001
3	Keyboard assembly frame	403818-001
4	LED boards (include LED board cable)	
	For use with HP Pavilion dv8200 models	417033-001
	For use with HP Pavilion dv8000 models	403833-001
5	Keyboards	
	France 403809-051	Spain 403809-071
	French Canada 403809-121	Sweden and 403809-101
	Germany 403809-041	Finland
	Italy 403809-061	United Kingdom 403809-031
	Norway 403809-091	United States 403809-001



Computer Major Components

Table 3-1**Spare Parts: Computer Major Components (Continued)**

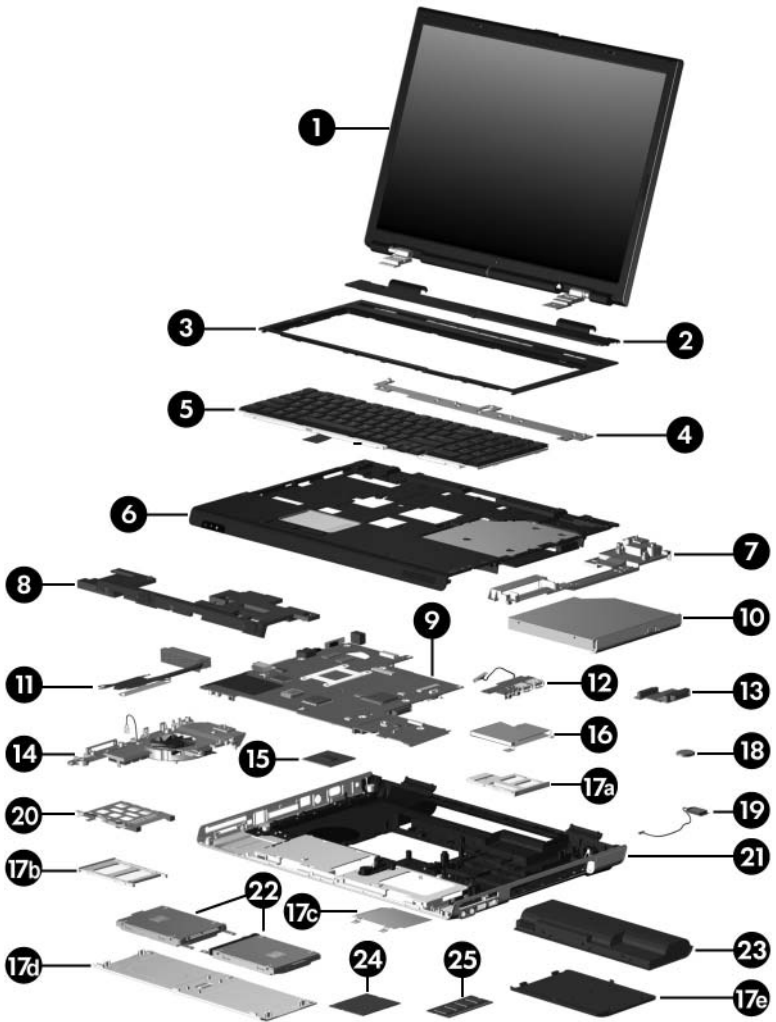
Item	Description	Spare Part Number
6	Top cover (includes TouchPad)	403822-001
7	Bracket Kit , includes: Display hinge support bracket Not illustrated: Optical drive bracket (also included with optical drive spare part kits) Hard drive bracket (also included with hard drive spare part kits) Expansion port 2 bracket TouchPad bracket (also included with top cover spare part kits)	403816-001
8	Speakers	403825-001
9	System boards For use with HP Pavilion dv8200 models For use with HP Pavilion dv8000 models	417029-001 403790-001
10	Optical drives DVD±RW and CD-RW Double-Layer Combo Drive with LightScribe DVD±RW and CD-RW Double-Layer Combo Drive DVD/CD-RW Combo Drive DVD±RW and CD-RW Double-Layer Combo Drive with LightScribe and Hitachi-LG Data Storage DVD±RW and CD-RW Double-Layer Combo Drive with Hitachi-LG Data Storage DVD/CD-RW Combo Drive with Hitachi-LG Data Storage	403807-001 403806-001 403805-001 417621-001 417620-001 417619-001



Computer Major Components

Table 3-1**Spare Parts: Computer Major Components (Continued)**

Item	Description	Spare Part Number
10	Optical drives (Continued)	
	DVD±RW and CD-RW Super Multi Double-Layer Combo Drive with LightScribe	430862-001
	DVD±RW and CD-RW Super Multi Combo Drive with LightScribe	430186-001
	DVD±RW and CD-RW Super Multi Double-Layer Combo Drive	430861-001
11	Heat sink (includes thermal paste)	403827-001
12	USB boards (include USB board and USB board cable)	
	For use with HP Pavilion dv8200 models	417032-001
	For use with HP Pavilion dv8000 models	403830-001
13	Optical drive connector boards	
	For use with HP Pavilion dv8200 models	417031-001
	For use with HP Pavilion dv8000 models	403829-001
14	Fan assembly	403826-001
15	Processors (include thermal paste)	
	AMD Turion 64 ML-44 (2.4-GHz)	410324-001
	AMD Turion 64 ML-40 (2.2-GHz)	430499-001
	AMD Turion 64 ML-40 (2.2-GHz)	393579-001
	AMD Turion 64 ML-37 (2.0-GHz)	393578-001
	AMD Turion 64 ML-34 (1.8-GHz)	417030-001
	AMD Turion 64 ML-32 (1.8-GHz)	395744-001
	AMD Turion 64 ML-30 (1.6-GHz)	395743-001
	Mobile AMD Sempron 3300 (2.0-GHz)	430860-001
	Mobile AMD Sempron 3100 (1.8-GHz)	430855-001
16	ExpressCard assembly	403828-001

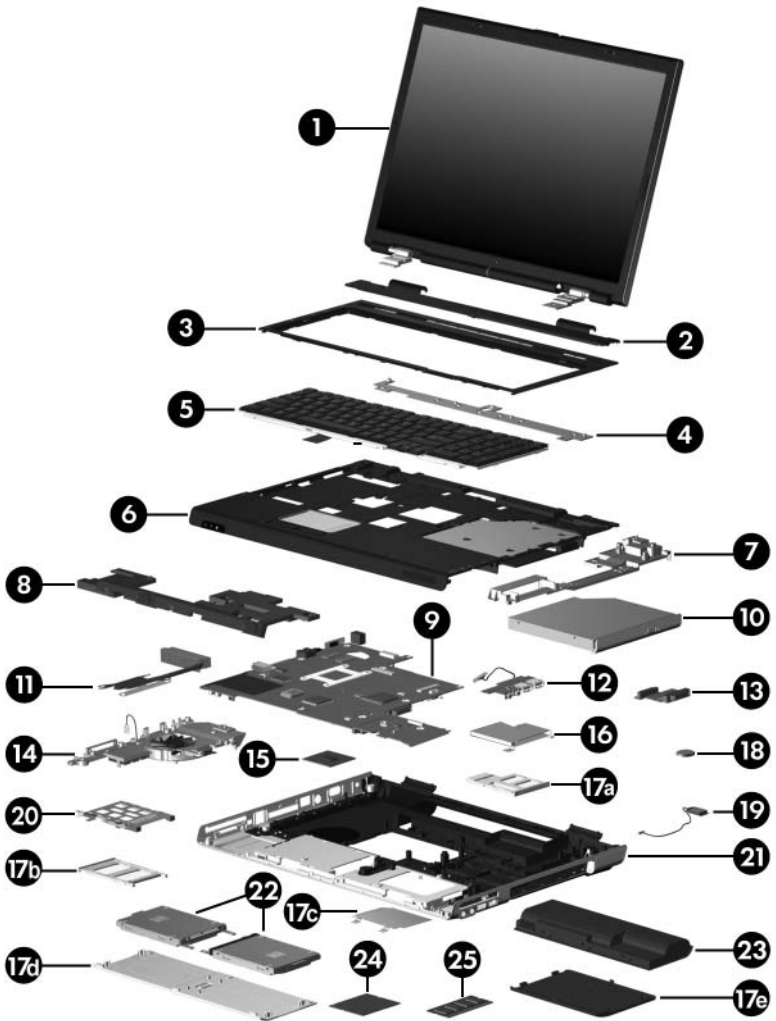


Computer Major Components

Table 3-1

Spare Parts: Computer Major Components (Continued)

Item	Description	Spare Part Number
	Plastics Kit	403812-001
	Includes:	
17a	ExpressCard slot bezel	
17b	PC Card slot bezel	
17c	Memory shield	
17d	Hard drive cover for use only with HP Pavilion dv8000 models (includes 3 captive screws, secured by C clips)	
17e	Memory/Mini PCI module compartment cover (includes 2 captive screws, secured by C clips)	
	Computer feet (not illustrated)	
18	RTC battery	403819-001
19	Bluetooth® module (includes Bluetooth module cable)	397922-001
20	PC Card assembly	403835-001
21	Base enclosure	403824-001
22	Hard drives (include frame and connector)	
	For use with HP Pavilion dv8200 models	
	7200 rpm, 100-GB	418579-001
	5400 rpm, 80-GB	418576-001
	4200-rpm, 120-GB	418580-001
	4200-rpm, 100-GB	418577-001
	4200-rpm, 60-GB	418578-001
	Hard drive cover for use with HP Pavilion dv8200 models	419327-001
	For use with HP Pavilion dv8000 models	
	7200 rpm, 100-GB	405938-001
	5400 rpm, 80-GB	403803-001
	4200-rpm, 120-GB	405939-001
	4200-rpm, 100-GB	403804-001
	4200-rpm, 60-GB	405937-001



Computer Major Components

Table 3-1**Spare Parts: Computer Major Components (Continued)**

Item	Description	Spare Part Number
23	8-cell, 4.4-hour battery	403808-001
24	Mini PCI communications modules	
	802.11a/b/g wireless local access network (WLAN) module for use in North America	403791-001
	802.11a/b/g WLAN module for use in the rest of the world	403792-001
	802.11b/g WLAN module for use in North America	392557-001
	802.11b/g WLAN module for use in the rest of the world	392557-002
25	Memory modules	
	1024 MB	403800-001
	512 MB	403799-001
	256 MB	407843-001
	Secure Digital (SD) memory cards (not illustrated)	
	512 MB	407316-001
	256-MB	403573-001

3.3 Display Assembly Subcomponents



Table 3-2
Display Assembly Subcomponent
Spare Part Number Information

Item	Description	
	Display Plastics Kits	
	For use with dual-lamp displays	412269-001
	For use with single-lamp displays	403881-001
	Includes:	
1a	■ Display bezel	
1b	■ Display enclosure	
	■ Display release latch actuator and hooks (not illustrated)	
2	Display Hinge Kits	
	For use with dual-lamp displays	412270-001
	For use with single-lamp displays	403884-001

Table 3-2
Display Assembly Subcomponent
Spare Part Number Information (*Continued*)

Item	Description	
3	Display inverter boards	
	For use with dual-lamp displays	412268-001
	For use with single-lamp displays	403831-001
4	Display Panel Kits (include display panel cable)	
	17-inch, WSXGA+ with BrightView and dual-lamp	tbd-001
	17-inch, WSXGA+ with BrightView	417617-001
	17-inch, WXGA+ with BrightView	417616-001
5	Wireless Antenna Kit (includes cable and transceivers)	403882-001
	Display Cable Kits (not illustrated)	
	For use with dual-lamp displays	412271-001
	For use with single-lamp displays	403885-001
	Display Label Kit (not illustrated)	403887-001
	Display Screw Kit (not illustrated), includes:	403886-001
	■ Phillips PM2.5×7.0 screws	
	■ Phillips PM2.5×5.0 screws	
	■ Rubber screw covers	
	Pad Kit (not illustrated), includes rubber screw covers	403815-001

3.4 Plastics Kit



Table 3-3
Plastics Kit
Spare Part Number Information

Item	Description	Spare Part Number
	Plastics Kit	403812-001
	Includes:	
1	Memory/Mini PCI module compartment cover (includes 2 captive screws, secured by C-clips)	
2	Hard drive cover (includes 3 captive screws, secured by C-clips)	
3	Computer feet (6)	
4	ExpressCard slot bezel	
5	PC Card slot bezel	

3.5 Cable Kit

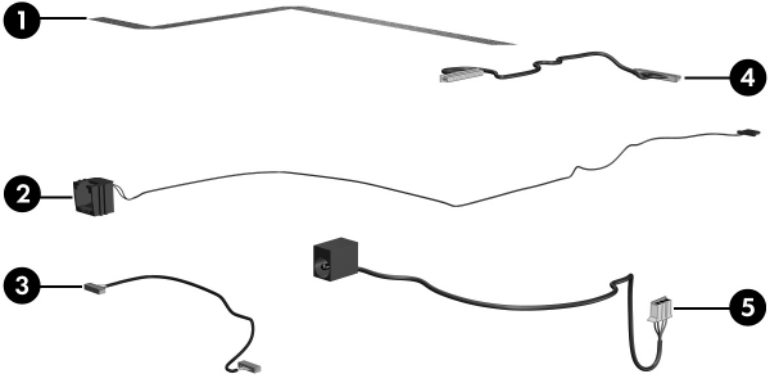


Table 3-4

Cable Kit

Spare Part Number Information

Item	Description	Spare Part Number
	Cable Kit	403814-001
	Includes:	
1	TouchPad cable	
2	Modem connector cable	
3	Bluetooth module cable	
4	USB board cable	
5	Power connector cable	

3.6 Mass Storage Devices



Table 3-5
Mass Storage Devices
Spare Part Number Information

Item	Description	Spare Part Number		
1	Hard drives (include frame and connector)			
	For use with HP Pavilion dv8200 models			
	7200 rpm, 100-GB	418579-001	4200-rpm, 120-GB	418580-001
	5400 rpm, 80-GB	418576-001	4200-rpm, 100-GB	418577-001
			4200-rpm, 60-GB	418578-001
	For use with HP Pavilion dv8000 models			
	7200 rpm, 100-GB	405938-001	4200-rpm, 120-GB	405939-001
	5400 rpm, 80-GB	403803-001	4200-rpm, 100-GB	403804-001
			4200-rpm, 60-GB	405937-001

Table 3-5
Mass Storage Devices
Spare Part Number Information

Item	Description	Spare Part Number
2	Optical drives	
	DVD±RW and CD-RW Double-Layer Combo Drive with LightScribe	403807-001
	DVD±RW and CD-RW Double-Layer Combo Drive	403806-001
	DVD/CD-RW Combo Drive	403805-001
	DVD±RW and CD-RW Double-Layer Combo Drive with LightScribe and Hitachi-LG Data Storage	417621-001
	DVD±RW and CD-RW Double-Layer Combo Drive with Hitachi-LG Data Storage	417620-001
	DVD/CD-RW Combo Drive and Hitachi-LG Data Storage	417619-001
	DVD±RW and CD-RW Super Multi Double-Layer Combo Drive with LightScribe	430862-001
	DVD±RW and CD-RW Super Multi Combo Drive with LightScribe	430186-001
	DVD±RW and CD-RW Super Multi Double-Layer Combo Drive	430861-001
	USB digital drive (not illustrated)	364727-001

3.7 Miscellaneous (Not Illustrated)

Table 3-6
Miscellaneous (Not Illustrated)
Spare Part Information

Description	Spare Part Number
All-in-one media cable	375759-001
Analog TV tuner	407941-001
Audio Y-cable 2	379452-001
Composite S-Video and audio cable	407939-001
DVB-T TV tuner	412175-001
DVB-T TV tuner antenna	412176-001
DVB-T TV tuner antenna adapter	412177-001
HP remote control II	396975-001
Infrared blaster cable	408484-001
Infrared USB receiver	408483-001
Power connectors	
90-watt	410323-001
65-watt	410322-001
Power cords	
For use in:	
Canada, French Canada, and the United States	403811-001
France, Germany, and Spain	403811-021
The United Kingdom	403811-031
Italy	403811-061

Table 3-6
Miscellaneous (Not Illustrated)
Spare Part Information (Continued)

Description	Spare Part Number
Power supplies	
65 watt	403810-001
90 watt non-PFC	408487-001
90 watt PFC	408488-001
Remote TV tuner	408479-001
RF cable	408485-001
RF input adapter cable	407940-001
Screw Kit (includes the following screws; refer to Appendix A, "Screw Listing," for more information on specifications and usage)	403813-001
<ul style="list-style-type: none"> ■ Phillips PM3.0×4.0 screw ■ Phillips PM2.5×13.0 screw ■ Phillips PM2.5×9.0 screw ■ Phillips PM2.5×7.0 screw ■ Black Phillips PM2.5×6.0 screw 	<ul style="list-style-type: none"> ■ Silver Phillips PM2.5×6.0 screw ■ Phillips PM2.5×4.0 screw ■ Phillips PM2.0×4.0 screw ■ Slotted M1.5×9.0 screw
TV tuner remote control	408479-001
USB travel mouse	309674-001
USB digital drive	364727-001
Wired headset with volume control	371693-001

3.8 Sequential Part Number Listing

Table 3-7
Sequential Part Number Listing

Spare Part Number	Description
309674-001	USB travel mouse
364727-001	USB digital drive
371693-001	Wired headset with volume control
375759-001	All-in-one media cable
379452-001	Audio Y-cable 2
392557-001	802.11b/g WLAN Mini PCI communications module for use in North America
392557-002	802.11b/g WLAN Mini PCI communications module for use in the rest of the world
393578-001	AMD Turion 64 ML-37 (2.0-GHz) processor (includes thermal paste)
393579-001	AMD Turion 64 ML-40 (2.2-GHz) processor (includes thermal paste)
395743-001	AMD Turion 64 ML-30 (1.6-GHz) processor (includes thermal paste)
395744-001	AMD Turion 64 ML-32 (1.8-GHz) processor (includes thermal paste)
396975-001	HP remote control II
397922-001	Bluetooth wireless module (includes Bluetooth module cable)
403573-001	256-MB SD memory card
403790-001	System board for use with HP Pavilion dv8000 models
403791-001	802.11a/b/g WLAN Mini PCI communications module for use in North America

Table 3-7
Sequential Part Number Listing (*Continued*)

Spare Part Number	Description
403792-001	802.11a/b/g WLAN Mini PCI communications module for use in the rest of the world
403796-001	17-inch, WXGA+, TFT, single-lamp display assembly with BrightView (includes display cable, wireless antenna boards, and antenna cables)
403797-001	17-inch, WSXGA+, TFT, single-lamp display assembly with BrightView (includes display cable, wireless antenna boards, and antenna cables)
403799-001	512-MB memory module
403800-001	1024-MB memory module
403803-001	5400 rpm, 80-GB hard drive for use with HP Pavilion dv8000 models (includes frame and connector)
403804-001	4200-rpm, 100-GB hard drive for use with HP Pavilion dv8000 models (includes frame and connector)
403805-001	DVD/CD-RW Combo Drive
403806-001	DVD±RW and CD-RW Double-Layer Combo Drive
403807-001	DVD±RW and CD-RW Double-Layer Combo Drive with LightScribe
403808-001	8-cell, 4.4-hour battery
403809-001	Keyboard for use in the United States
403809-031	Keyboard for use in the United Kingdom
403809-041	Keyboard for use in Germany
403809-051	Keyboard for use in France
403809-061	Keyboard for use in Italy
403809-071	Keyboard for use in Spain
403809-091	Keyboard for use in Norway

Table 3-7
Sequential Part Number Listing (*Continued*)

Spare Part Number	Description
403809-101	Keyboard for use in Sweden and Finland
403809-121	Keyboard for use in French Canada
403810-001	Power supply, 65 watt
403811-001	Power cord for use in the United States
403811-021	Power cord for use Internationally
403811-031	Power cord for use in the United Kingdom
403811-061	Power cord for use in Italy
403812-001	Plastics Kit
403813-001	Screw Kit
403814-001	Cable Kit
403815-001	Pad Kit
403816-001	Bracket Kit
403817-001	Switch cover (includes LED board and LED board cable)
403818-001	Keyboard assembly frame
403819-001	RTC battery
403822-001	Top cover (includes TouchPad)
403824-001	Base enclosure
403825-001	Speakers
403826-001	Fan assembly
403827-001	Heat sink (includes thermal paste)
403828-001	ExpressCard assembly
403829-002	Optical drive connector board for use with HP Pavilion dv8000 models

Table 3-7
Sequential Part Number Listing (*Continued*)

Spare Part Number	Description
403830-001	USB board for use with HP Pavilion dv8000 models (includes USB board and USB board cable)
403831-001	Display inverter board for use with single-lamp displays
403833-001	LED board for use with HP Pavilion dv8000 models (includes LED board cable)
403835-001	PC Card assembly
403881-001	Display Plastics Kit for use with single-lamp displays
403882-001	Wireless Antenna Kit (includes cable and transceivers)
403884-001	Display Hinge Kit for use with single-lamp displays
403885-001	Display Cable Kit for use with single-lamp displays
403886-001	Display Screw Kit
403887-001	Display Label Kit
405937-001	4200-rpm, 60-GB hard drive for use with HP Pavilion dv8000 models (includes frame and connector)
405938-001	7200 rpm, 100-GB hard drive for use with HP Pavilion dv8000 models (includes frame and connector)
405939-001	4200-rpm, 120-GB hard drive for use with HP Pavilion dv8000 models (includes frame and connector)
407316-001	512-MB SD memory card
407843-001	256-MB memory module
407939-001	Composite S-Video and audio cable
407940-001	RF input adapter cable
407941-001	Analog TV tuner
408479-001	TV tuner remote control

Table 3-7
Sequential Part Number Listing (Continued)

Spare Part Number	Description
408484-001	Infrared blaster cable
408485-001	RF cable
408483-001	Infrared USB receiver
408487-001	90-watt non-PFC AC adapter
408488-001	90-watt PFC AC adapter
410321-001	90-watt non-PFC AC adapter
410322-001	65-watt power connector
410323-001	90-watt power connector
410324-001	AMD Turion 64 ML-44 (2.4-GHz) processor (includes thermal paste)
412175-001	DVB-T TV tuner
412176-001	DVB-T TV tuner antenna
412177-001	DVB-T TV tuner antenna adapter
412267-001	90-watt PFC AC adapter
412268-001	Display inverter board for use with dual-lamp displays
412269-001	Display Plastics Kit for use with dual-lamp displays
412270-001	Display Hinge Kit for use with dual-lamp displays
412271-001	Display Cable Kit for use with dual-lamp displays
417029-001	System board for use with HP Pavilion dv8200 models
417030-001	AMD Turion 64 ML-34 (1.8-GHz) processor (includes thermal paste)
417031-001	Optical drive connector board for use with HP Pavilion dv8200 models

Table 3-7
Sequential Part Number Listing (*Continued*)

Spare Part Number	Description
417032-001	USB board for use with HP Pavilion dv8200 models (includes USB board and USB board cable)
417033-001	LED board for use with HP Pavilion dv8000 models (includes LED board cable)
417616-001	Display Panel Kit for use with 17-inch, WXGA+ displays with BrightView (include display panel cable)
417617-001	Display Panel Kit for use with 17-inch, WSXGA+ displays with BrightView (includes display panel cable)
417619-001	DVD/CD-RW Combo Drive with Hitachi-LG Data Storage
417620-001	DVD±RW and CD-RW Double-Layer Combo Drive with Hitachi-LG Data Storage
417621-001	DVD±RW and CD-RW Double-Layer Combo Drive with LightScribe and Hitachi-LG Data Storage
418576-001	5400-rpm, 80-GB hard drive for use with HP Pavilion dv8200 models (includes frame and connector)
418577-001	4200 rpm, 100-GB hard drive for use with HP Pavilion dv8200 models (includes frame and connector)
418578-001	4200-rpm, 60-GB hard drive for use with HP Pavilion dv8200 models (includes frame and connector)
418579-001	7200 rpm, 100-GB hard drive for use with HP Pavilion dv8200 models (includes frame and connector)
418580-001	4200-rpm, 120-GB hard drive for use with HP Pavilion dv8200 models (includes frame and connector)
418580-001	4200-rpm, 120-GB hard drive for use with HP Pavilion dv8200 models (includes frame and connector)
419327-001	Hard drive cover for use with HP Pavilion dv8200 models

Table 3-7
Sequential Part Number Listing (*Continued*)

Spare Part Number	Description
430499-001	AMD Turion 64 ML-40 (2.2-GHz) processor (includes thermal paste)
430855-001	Mobile AMD Sempron 3100 (1.8-GHz) processor (includes thermal paste)
430860-001	Mobile AMD Sempron 3300 (2.2-GHz) processor (includes thermal paste)
430861-001	DVD±RW and CD-RW Super Multi Double-Layer Combo Drive
430862-001	DVD±RW and CD-RW Super Multi Double-Layer Combo Drive with LightScribe

Removal and Replacement Preliminaries

This chapter provides essential information for proper and safe removal and replacement service.

4.1 Tools Required

You will need the following tools to complete the removal and replacement procedures:

- Magnetic screwdriver
- Phillips P0 screwdriver
- Flat-bladed screwdriver

4.2 Service Considerations

The following sections include some of the considerations that you should keep in mind during disassembly and assembly procedures.



As you remove each subassembly from the computer, place the subassembly (and all accompanying screws) away from the work area to prevent damage.

Plastic Parts

Using excessive force during disassembly and reassembly can damage plastic parts. Use care when handling the plastic parts. Apply pressure only at the points designated in the maintenance instructions.

Cables and Connectors



CAUTION: When servicing the computer, ensure that cables are placed in their proper locations during the reassembly process. Improper cable placement can damage the computer.

Cables must be handled with extreme care to avoid damage. Apply only the tension required to unseat or seat the cables during removal and insertion. Handle cables by the connector whenever possible. In all cases, avoid bending, twisting, or tearing cables. Ensure that cables are routed in such a way that they cannot be caught or snagged by parts being removed or replaced. Handle flex cables with extreme care; these cables tear easily.

4.3 Preventing Damage to Removable Drives

Removable drives are fragile components that must be handled with care. To prevent damage to the computer, damage to a removable drive, or loss of information, observe the following precautions:

- Before removing or inserting a hard drive, shut down the computer. If you are unsure whether the computer is off or in hibernation, turn the computer on, and then shut it down through the operating system.
- Before removing a diskette drive or optical drive, ensure that a diskette or disc is not in the drive and ensure that the optical drive tray is closed.
- Before handling a drive, ensure that you are discharged of static electricity. While handling a drive, avoid touching the connector.
- Handle drives on surfaces covered with at least one inch of shock-proof foam.
- Avoid dropping drives from any height onto any surface.
- After removing a hard drive, an optical drive, or a diskette drive, place it in a static-proof bag.
- Avoid exposing a hard drive to products that have magnetic fields, such as monitors or speakers.
- Avoid exposing a drive to temperature extremes or liquids.
- If a drive must be mailed, place the drive in a bubble pack mailer or other suitable form of protective packaging and label the package “FRAGILE: Handle With Care.”

4.4 Preventing Electrostatic Damage

Many electronic components are sensitive to electrostatic discharge (ESD). Circuitry design and structure determine the degree of sensitivity. Networks built into many integrated circuits provide some protection, but in many cases, the discharge contains enough power to alter device parameters or melt silicon junctions.

A sudden discharge of static electricity from a finger or other conductor can destroy static-sensitive devices or microcircuitry. Often the spark is neither felt nor heard, but damage occurs.

An electronic device exposed to electrostatic discharge may not be affected at all and can work perfectly throughout a normal cycle. Or the device may function normally for a while, then degrade in the internal layers, reducing its life expectancy.

4.5 Packaging and Transporting Precautions

Use the following grounding precautions when packaging and transporting equipment:

- To avoid hand contact, transport products in static-safe containers, such as tubes, bags, or boxes.
- Protect all electrostatic-sensitive parts and assemblies with conductive or approved containers or packaging.
- Keep electrostatic-sensitive parts in their containers until the parts arrive at static-free workstations.
- Place items on a grounded surface before removing items from their containers.
- Always be properly grounded when touching a sensitive component or assembly.
- Store reusable electrostatic-sensitive parts from assemblies in protective packaging or nonconductive foam.
- Use transporters and conveyors made of antistatic belts and roller bushings. Ensure that mechanized equipment used for moving materials is wired to ground and that proper materials are selected to avoid static charging. When grounding is not possible, use an ionizer to dissipate electric charges.

4.6 Workstation Precautions

Use the following grounding precautions at workstations:

- Cover the workstation with approved static-shielding material (refer to [Table 4-2, “Static-Shielding Materials”](#)).
- Use a wrist strap connected to a properly grounded work surface and use properly grounded tools and equipment.
- Use conductive field service tools such as cutters, screwdrivers, and vacuums.
- When fixtures must directly contact dissipative surfaces, use fixtures made only of static-safe materials.
- Keep the work area free of nonconductive materials such as ordinary plastic assembly aids and Styrofoam.
- Handle electrostatic-sensitive components, parts, and assemblies by the case or PCM laminate. Handle these items only at static-free workstations.
- Avoid contact with pins, leads, or circuitry.
- Turn off power and input signals before inserting or removing connectors or test equipment.

4.7 Grounding Equipment and Methods

Grounding equipment must include either a wrist strap or a foot strap at a grounded workstation.

- When seated, wear a wrist strap connected to a grounded system. Wrist straps are flexible straps with a minimum of one megohm $\pm 10\%$ resistance in the ground cords. To provide proper ground, wear a strap snugly against the skin at all times. On grounded mats with banana-plug connectors, use alligator clips to connect a wrist strap.
- When standing, use foot straps and a grounded floor mat. Foot straps (heel, toe, or boot straps) can be used at standing workstations and are compatible with most types of shoes or boots. On conductive floors or dissipative floor mats, use foot straps on both feet with a minimum of one megohm resistance between the operator and ground. To be effective, the conductive strips must be worn in contact with the skin.

Other grounding equipment recommended for use in preventing electrostatic damage includes:

- Antistatic tape
- Antistatic smocks, aprons, and sleeve protectors
- Conductive bins and other assembly or soldering aids
- Nonconductive foam
- Conductive tabletop workstations with ground cords of one megohm resistance
- Static-dissipative tables or floor mats with hard ties to the ground
- Field service kits
- Static awareness labels
- Material-handling packages
- Nonconductive plastic bags, tubes, or boxes
- Metal tote boxes
- Electrostatic voltage levels and protective materials

Table 4-1 shows how humidity affects the electrostatic voltage levels generated by different activities.

Table 4-1
Typical Electrostatic Voltage Levels

Event	Relative Humidity		
	10%	40%	55%
Walking across carpet	35,000 V	15,000 V	7,500 V
Walking across vinyl floor	12,000 V	5,000 V	3,000 V
Motions of bench worker	6,000 V	800 V	400 V
Removing DIPS from plastic tube	2,000 V	700 V	400 V
Removing DIPS from vinyl tray	11,500 V	4,000 V	2,000 V
Removing DIPS from Styrofoam	14,500 V	5,000 V	3,500 V
Removing bubble pack from PCB	26,500 V	20,000 V	7,000 V
Packing PCBs in foam-lined box	21,000 V	11,000 V	5,000 V


 A product can be degraded by as little as 700 V.

Table 4-2 lists the shielding protection provided by antistatic bags and floor mats.

Table 4-2
Static-Shielding Materials

Material	Use	Voltage Protection Level
Antistatic plastic	Bags	1,500 V
Carbon-loaded plastic	Floor mats	7,500 V
Metallized laminate	Floor mats	5,000 V

5

Removal and Replacement Procedures

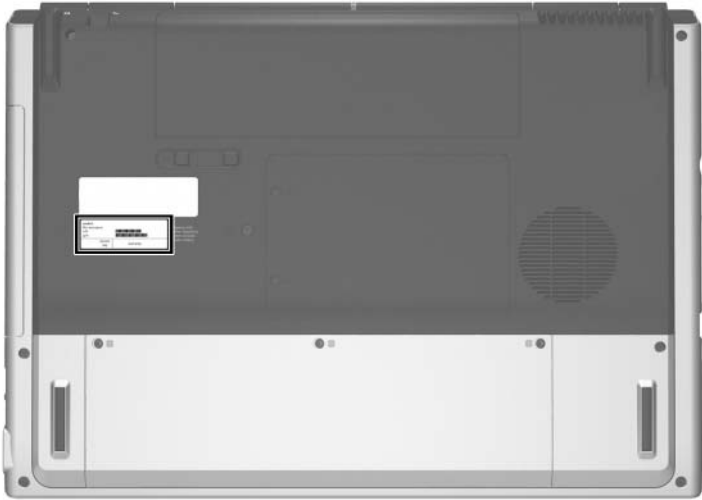
This chapter provides removal and replacement procedures.

There are as many 113 screws, in 9 different sizes and types, that may have to be removed, replaced, or loosened when servicing the computer. Make special note of each screw size and location during removal and replacement.

Refer to [Appendix A, “Screw Listing,”](#) for detailed information on screw and nut sizes, locations, and usage.

5.1 Serial Number

Report the computer serial number to HP when requesting information or ordering spare parts. The serial number is located on the bottom of the computer.




Serial Number Location

5.2 Disassembly Sequence Chart

Use the chart below to determine the section number to be referenced when removing computer components.

Disassembly Sequence Chart

Section	Description	# of Screws Removed
5.3	Preparing the Computer for Disassembly	
	Battery	0
5.4	Hard Drive	3 loosened to remove the hard drive cover 2 to remove each hard drive 4 to disassemble each hard drive
5.5	Computer Feet	0
5.6	Memory Module	2 loosened to remove the memory/Mini PCI module compartment cover 2 loosened to release the memory shield
5.7	Mini PCI Communications Module	0
	 To prevent an unresponsive system and the display of a warning message, install only a Mini PCI device authorized for use in your computer by the governmental agency that regulates wireless devices in your country. If you install a device and then receive a warning message, remove the device to restore computer functionality. Then contact Customer Care.	
5.8	RTC Battery	0
5.9	Optical Drive	1
5.10	Switch Cover	5

Disassembly Sequence Chart (*Continued*)

Section	Description	# of Screws Removed
5.11	Keyboard Assembly Frame	2
5.12	LED Board	4
5.13	Keyboard	5
5.14	Display Assembly	6 to remove the display assembly 6 to remove the display bezel 4 to remove the display panel 4 to remove each display hinge 1 to remove the display inverter
5.15	Top Cover	25
5.16	System Board	8
5.17	Bluetooth Module	2
5.18	Modem Connector Cable	0
5.19	USB Board	0
5.20	Speakers	2
5.21	Heat Sink	4
5.22	Processor	0
5.23	Fan Assembly	5
5.24	PC Card Assembly	2

5.3 Preparing the Computer for Disassembly

Before you begin any removal or installation procedures:

1. Shut down the computer. If you are unsure whether the computer is off or in hibernation, turn the computer on, and then shut it down through the operating system.
2. Disconnect all external devices connected to the computer.
3. Disconnect the power cord.

Battery Spare Part Number Information

8-cell, 4.4-hour battery

403808-001

4. Remove the battery by following these steps:
 - a. Turn the computer upside down with the front toward you.
 - b. Slide the battery release latch **1** to the left. (The battery disengages from the computer.)
 - c. Lift the front edge of the battery **2** up and swing it back to remove it.



Removing the Battery

Reverse the above procedure to install the battery.

5.4 Hard Drive

Hard Drive Spare Part Number Information

For use with HP Pavilion dv8200 models

7200 rpm, 100-GB	418579-001	4200-rpm, 120-GB	418580-001
5400 rpm, 80-GB	418576-001	4200-rpm, 100-GB	418577-001
		4200-rpm, 60-GB	418578-001

For use with HP Pavilion dv8000 models

7200 rpm, 100-GB	405938-001	4200-rpm, 120-GB	405939-001
5400 rpm, 80-GB	403803-001	4200-rpm, 100-GB	403804-001
		4200-rpm, 60-GB	405937-001

Hard drive cover for use with HP Pavilion dv8200 models	419327-001
---	------------



The hard drive cover used with HP Pavilion dv8000 models is included in the Plastics Kit, spare part number 403812-001.



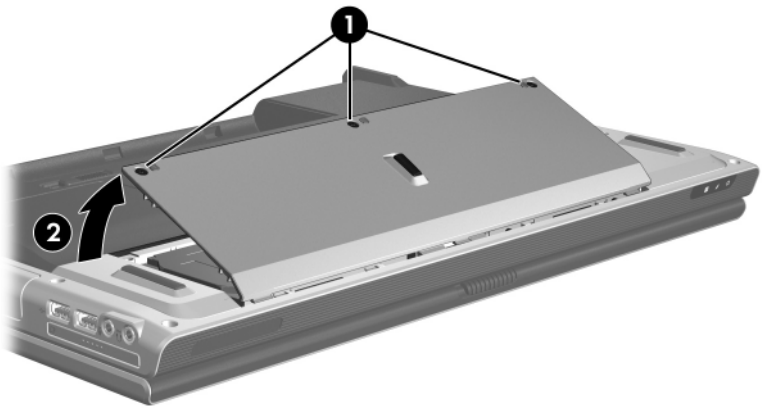
All hard drive spare part kits include a hard drive frame.

1. Prepare the computer for disassembly (refer to [Section 5.3](#)).

2. Loosen the three black Phillips PM2.5×6.0 screws ❶ that secure the hard drive cover to the computer.
3. Lift the rear edge of the hard drive cover ❷ and swing it up and forward and remove it.

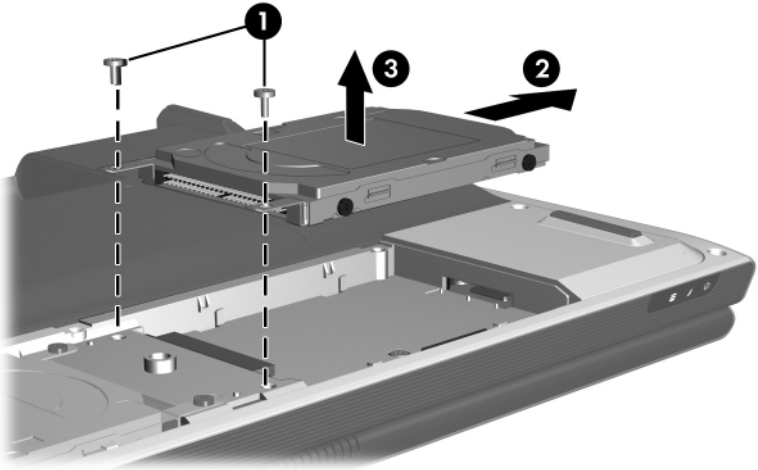


The hard drive cover is included in the Plastics Kit, spare part number 403812-001.



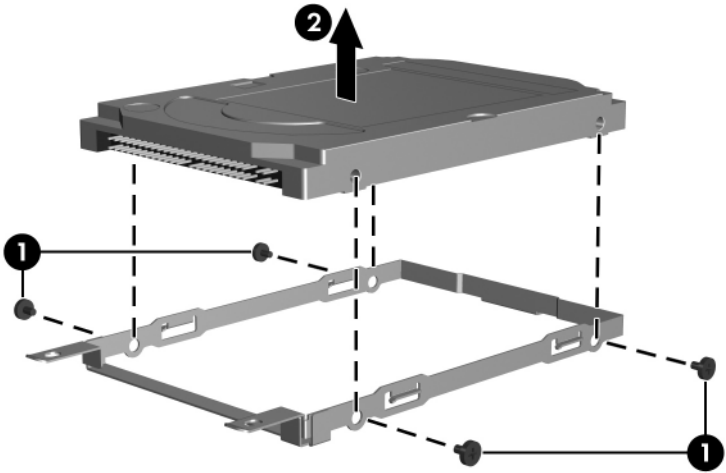
Removing the Hard Drive Cover

4. Remove the two silver Phillips PM2.5×6.0 hard drive retention screws ❶ that secure each hard drive to the computer.
5. Slide the hard drive ❷ away from the hard drive connector.
6. Remove the hard drive from the hard drive bay ❸.



Removing the Hard Drive

7. Remove the four Phillips PM3.0×4.0 hard drive frame screws ❶ that secure the hard drive frame to the hard drive.
8. Lift the hard drive straight up ❷ to remove it from the hard drive frame.

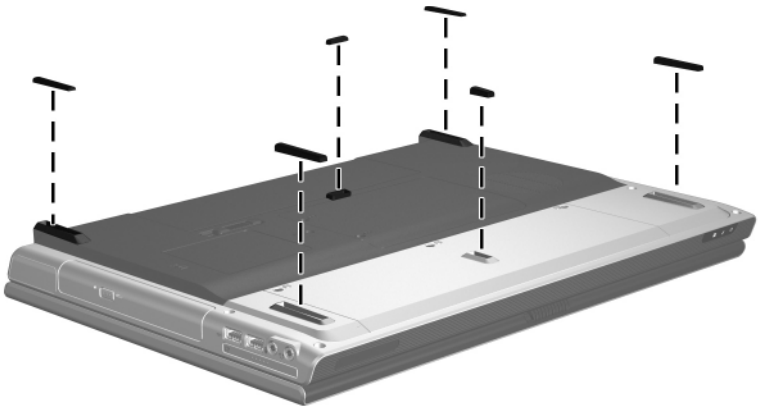


Removing the Hard Drive Frame

Reverse the above procedure to reassemble and install the hard drive.

5.5 Computer Feet

The computer feet are adhesive-backed rubber pads. The feet are included in the Plastics Kit, spare part number 403812-001.



Replacing the Computer Feet

5.6 Memory Module

Memory Module Spare Part Number Information

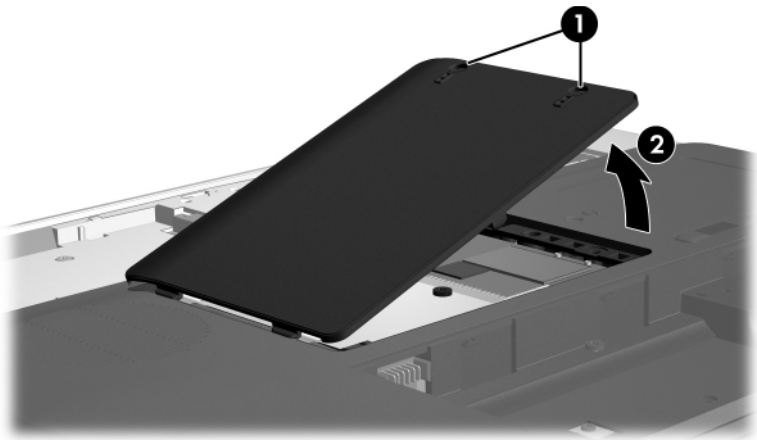
1024 MB	403800-001
512 MB	403799-001
256 MB	407843-001

1. Prepare the computer for disassembly (refer to [Section 5.3](#)).
2. Position the computer with the rear panel toward you.

3. Loosen the two black Phillips PM2.5×6.0 screws ❶ that secure the memory/Mini PCI module compartment cover to the computer.
4. Lift the right side of the cover ❷ and swing it up and to the left and remove it.

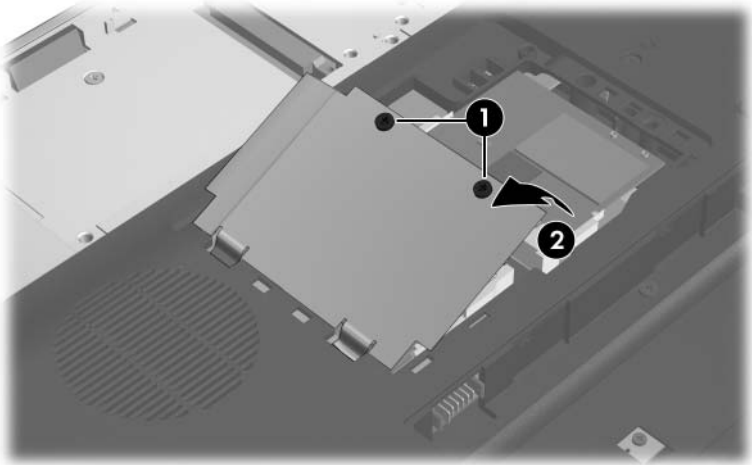


The memory/Mini PCI module compartment cover is included in the Plastics Kit, spare part number 403812-001.



Removing the Memory/Mini PCI Module Compartment Cover

5. Loosen the two Phillips PM2.5×4.0 screws **1** that secure the memory shield to the computer.
6. Lift the right side of the memory shield **2** and swing it to the left as far as it will go.

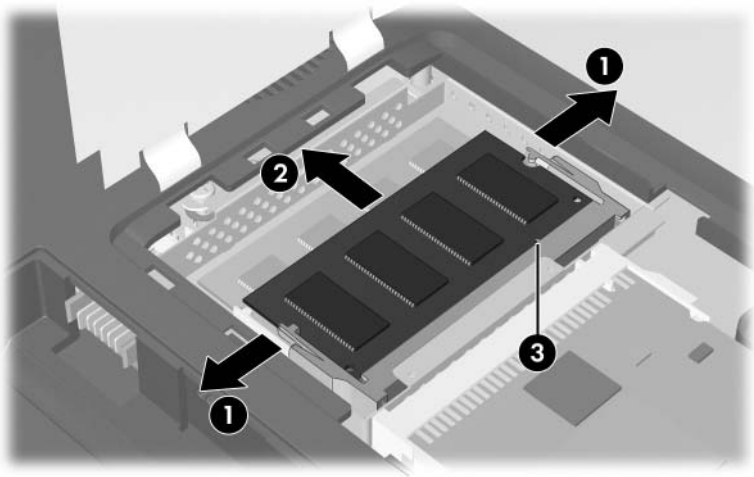


Releasing the Memory Shield

7. Spread the retaining tabs **1** on each side of the memory module socket to release the memory module. (The edge of the module opposite the socket rises away from the computer.)
8. Slide the module away from the socket at an angle **2**.
9. Remove the memory module.



Memory modules are designed with a notch **3** to prevent incorrect installation into the memory module socket.



Removing the Memory Module

Reverse the above procedure to install a memory module.

5.7 Mini PCI Communications Module

Mini PCI Communications Module Spare Part Number Information

802.11a/b/g wireless local access network (WLAN) module for use in North America	403791-001
802.11a/b/g WLAN module for use in the rest of the world	403792-001
802.11b/g WLAN module for use in North America	392557-001
802.11b/g WLAN module for use in the rest of the world	392557-002

1. Prepare the computer for disassembly ([Section 5.3](#)).
2. Remove the memory/Mini PCI module compartment cover ([Section 5.6](#)).

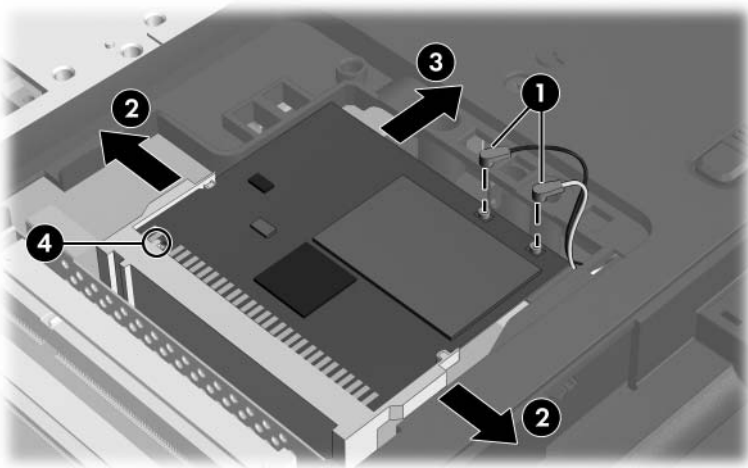


Before disconnecting the antenna cables, make note of which cable is attached to which antenna clip on the Mini PCI communications module.

3. Disconnect the auxiliary and main antenna cables **1** from the Mini PCI communications module.
 4. Spread the two retaining tabs **2** on each side of the Mini PCI socket to release the Mini PCI communications module. (The edge of the module opposite the socket rises away from the computer.)
 5. Remove the Mini PCI communications module by pulling the card away from the socket at a 45-degree angle **3**.
-



The Mini PCI communications module is designed with a notch **4** to prevent incorrect installation.



Removing a Mini PCI Communications Module

Reverse the above procedure to install a Mini PCI communications module.

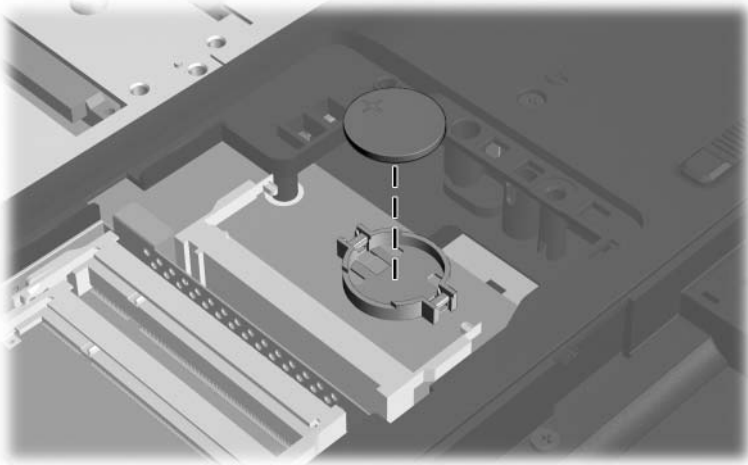
5.8 RTC Battery

RTC Battery Spare Part Number Information

RTC battery	403819-001
-------------	------------

1. Prepare the computer for disassembly ([Section 5.3](#)).
2. Remove the memory/Mini PCI module compartment cover ([Section 5.6](#)).
3. Remove the Mini PCI communications module ([Section 5.7](#)).

4. Remove the RTC battery from the socket on the system board.



Removing the RTC Battery

Reverse the above procedure to install an RTC battery.

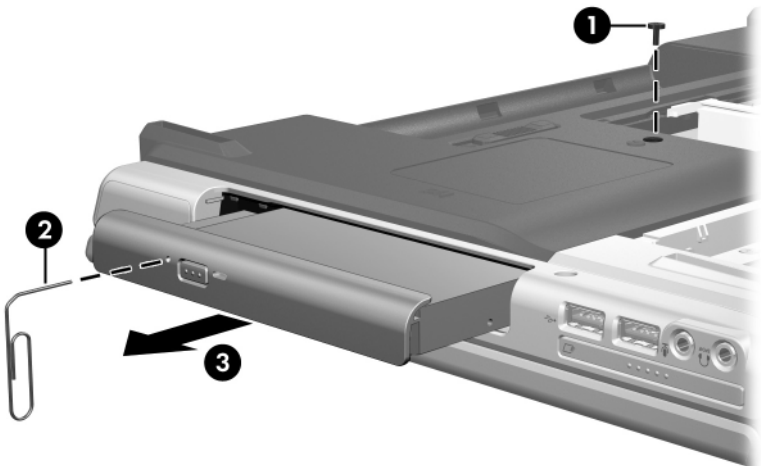
5.9 Optical Drive

Optical Drive Spare Part Number Information

DVD±RW and CD-RW Double-Layer Combo Drive with LightScribe	403807-001
DVD±RW and CD-RW Double-Layer Combo Drive	403806-001
DVD/CD-RW Combo Drive	403805-001
DVD±RW and CD-RW Double-Layer Combo Drive with LightScribe and Hitachi-LG Data Storage	417621-001
DVD±RW and CD-RW Double-Layer Combo Drive with Hitachi-LG Data Storage	417620-001
DVD/CD-RW Combo Drive with Hitachi-LG Data Storage	417619-001
DVD±RW and CD-RW Super Multi Double-Layer Combo Drive with LightScribe	430862-001
DVD±RW and CD-RW Super Multi Combo Drive with LightScribe	430186-001
DVD±RW and CD-RW Super Multi Double-Layer Combo Drive	430861-001

1. Prepare the computer for disassembly ([Section 5.3](#)).
2. Position the computer with the left side toward you.

3. Remove the Phillips PM2.5×13.0 screw ❶ that secures the optical drive to the computer.
4. Insert a thin tool, such as an unbent paper clip ❷, into the media tray release hole and release the media tray.
5. Use the media tray to slide the optical drive out of the computer ❸.
6. Remove the optical drive.



Removing the Optical Drive

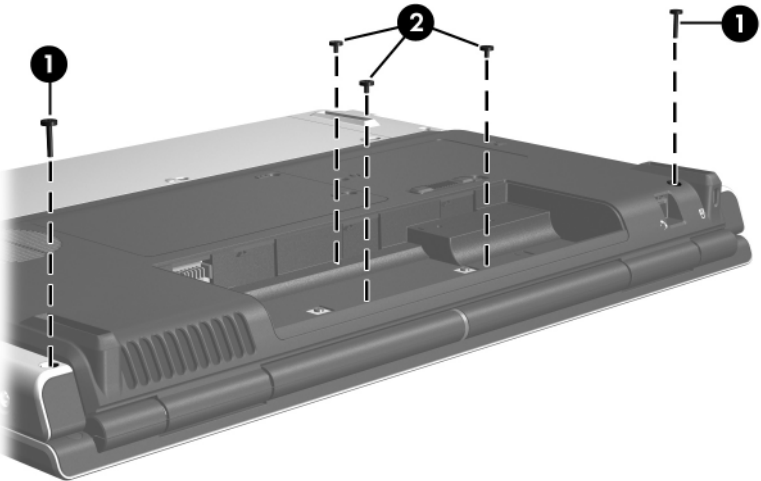
Reverse the above procedure to install an optical drive.

5.10 Switch Cover

Switch Cover Spare Part Number Information

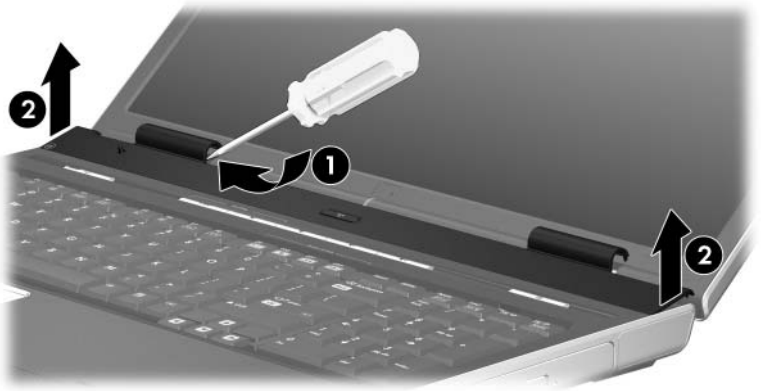
Switch cover (includes LED board and LED board cable)	403817-001
---	------------

1. Prepare the computer for disassembly ([Section 5.3](#)).
2. Remove the two Phillips PM2.5×13.0 screws **1** and the three Phillips PM2.5×4.0 screws **2** that secure the switch cover to the computer.



Removing the Switch Cover Screws

3. Turn the computer display-side up with the front toward you.
4. Open the computer as far as possible.
5. Insert a flat-bladed screwdriver under the display hinge cover sections ❶ of the switch cover.
6. Lift the switch cover until the left and right sides ❷ of the switch cover disengage from the computer.
7. Remove the switch cover.



Removing the Switch Cover

Reverse the above procedure to install the switch cover.

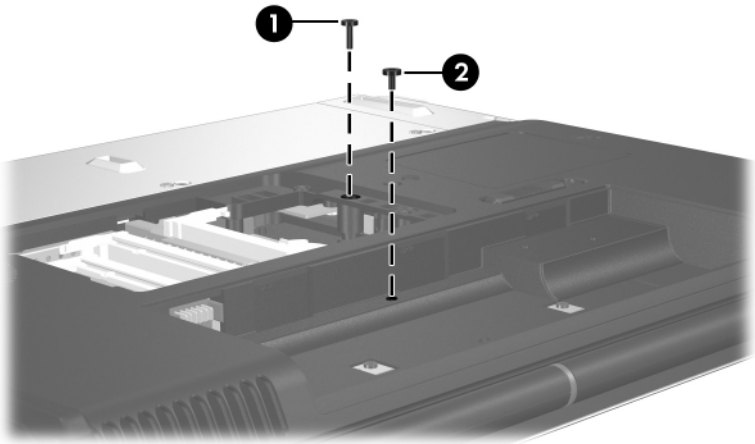
5.11 Keyboard Assembly Frame

Keyboard Assembly Frame Spare Part Number Information

Keyboard assembly frame

403818-001

1. Prepare the computer for disassembly ([Section 5.3](#)).
2. Remove the memory/Mini PCI module compartment cover ([Section 5.6](#)).
3. Remove the switch cover ([Section 5.10](#)).
4. Turn the computer upside down with the front toward you.
5. Remove the Phillips PM2.5×13.0 screw ❶ in the memory/Mini PCI module compartment that secures the keyboard assembly frame to the computer.
6. Remove the silver Phillips PM2.5×6.0 screw ❷ in the battery bay that secures the keyboard assembly frame to the computer.



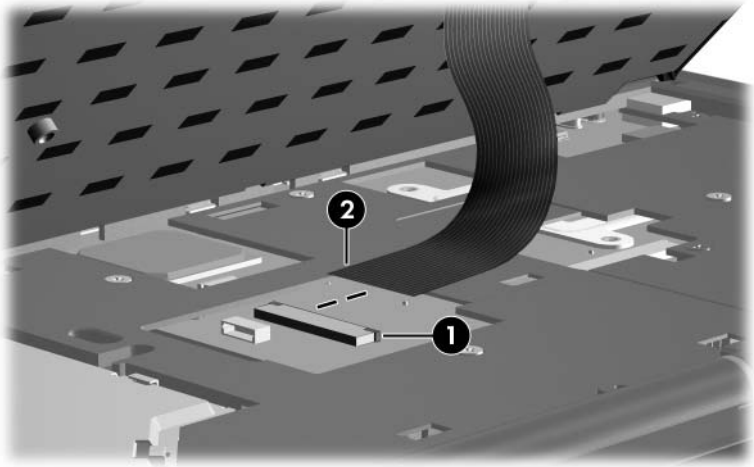
Removing the Keyboard Assembly Frame Screws

7. Turn the computer display-side up with the front toward you.
8. Open the computer as far as possible.
9. Lift and hold the rear edge of the keyboard until the LED board cable connector is accessible.



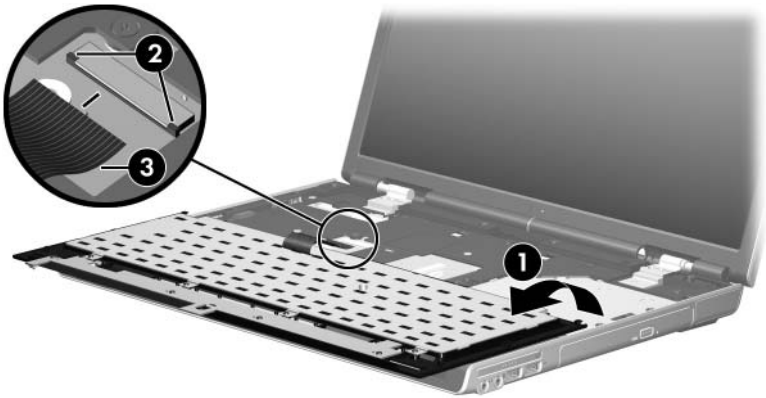
Releasing the Keyboard Assembly Frame

10. Release the zero insertion force (ZIF) connector **1** to which the LED board cable is connected and disconnect the cable **2**.



Releasing the Keyboard Assembly Frame

11. Swing the keyboard assembly frame **1** forward until the assembly rests on the palm rest.
12. Release the ZIF connector to which the keyboard cable **2** is attached and disconnect the keyboard cable **3**.
13. Remove the keyboard assembly frame.



Removing the Keyboard Assembly Frame

Reverse the above procedure to install the keyboard assembly frame.

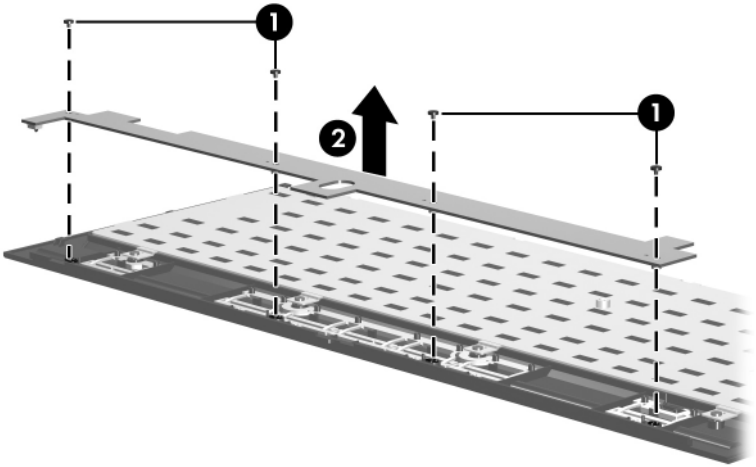
5.12 LED Board

LED Board Spare Part Number Information

For use with HP Pavilion dv8200 models	417033-001
For use with HP Pavilion dv8000 models	403833-001

1. Prepare the computer for disassembly ([Section 5.3](#)) and then remove the following components:
 - a. Memory/Mini PCI module compartment cover ([Section 5.6](#))
 - b. Switch cover ([Section 5.10](#))
 - c. Keyboard assembly frame ([Section 5.11](#))
2. Turn the keyboard assembly frame upside down with the LED board toward you.

3. Remove the four Phillips PM2.5×4.0 screws ❶ that secure the LED board to the keyboard frame.
4. Remove the LED board ❷.



Removing the LED Board

Reverse the above procedure to install the LED board.

5.13 Keyboard

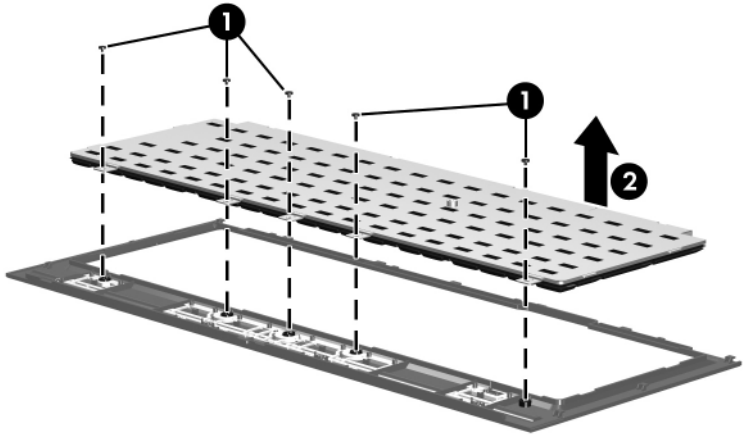
Keyboard Spare Part Number Information

For use in:

France	403809-051	Spain	403809-071
French Canada	403809-121	Sweden and Finland	403809-101
Germany	403809-041	United Kingdom	403809-031
Italy	403809-061	United States	403809-001
Norway	403809-091		

1. Prepare the computer for disassembly ([Section 5.3](#)) and then remove the following components:
 - a. Memory/Mini PCI module compartment cover ([Section 5.6](#))
 - b. Switch cover ([Section 5.10](#))
 - c. Keyboard assembly frame ([Section 5.11](#))
2. Turn the keyboard assembly frame upside down with the LED board toward you.

3. Remove the five Phillips PM2.5×4.0 screws ❶ that secure the keyboard to the keyboard frame.
4. Remove the keyboard ❷.



Removing the Keyboard

Reverse the above procedure to install the keyboard.

5.14 Display Assembly

Display Assembly Spare Part Number Information

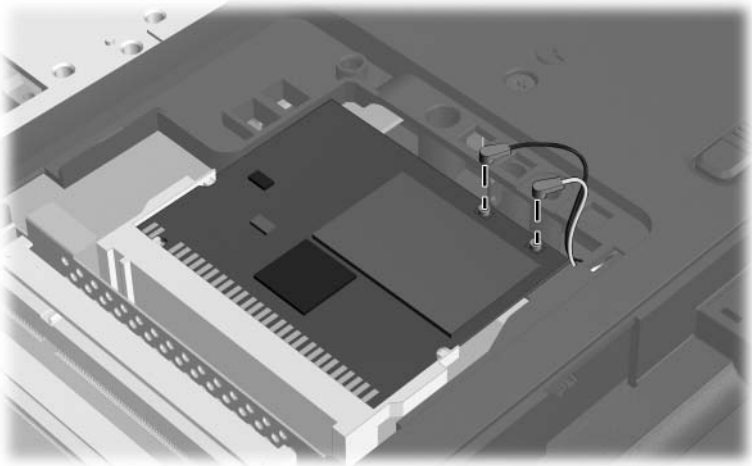
17-inch, WSXGA+, TFT, single-lamp with BrightView	403797-001
17-inch, WXGA+, TFT, single-lamp with BrightView	403796-001

1. Prepare the computer for disassembly ([Section 5.3](#)).
2. Remove the memory/Mini PCI module compartment cover ([Section 5.6](#)).



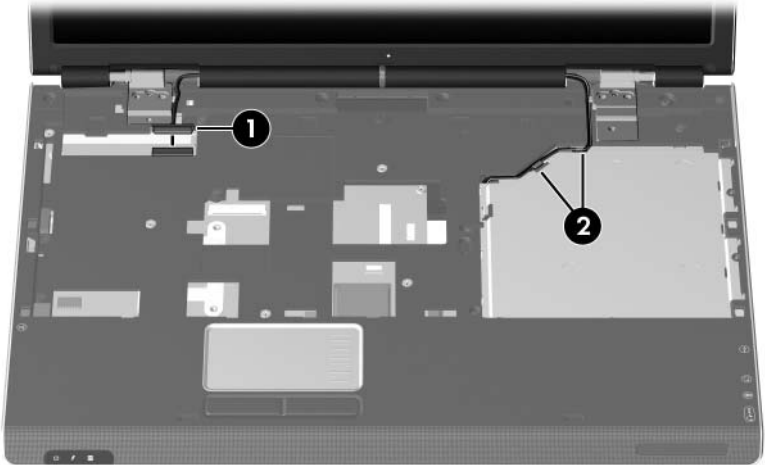
Before disconnecting the antenna cables, make note of which cable is attached to which antenna clip on the Mini PCI communications module.

3. Disconnect the auxiliary and main antenna cables from the Mini PCI communications module.



Disconnecting the Wireless Antenna Cables

4. Remove the switch cover ([Section 5.10](#)).
5. Remove the keyboard assembly frame ([Section 5.11](#)).
6. Disconnect the display cable ❶ from the system board.
7. Remove the wireless antenna cables from the clips ❷ in the top cover.

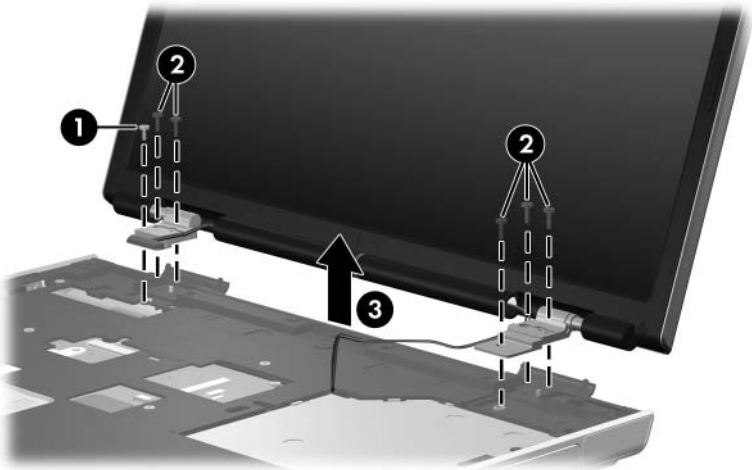


Disconnecting the Display and Wireless Antenna Cables



CAUTION: Support the display assembly when removing the following screws. Failure to support the display assembly can result in damage to the display assembly and other computer components.

8. Remove the the silver Phillips PM2.5×6.0 screw ❶ and the five Phillips PM2.5×9.0 screws ❷ that secure the display assembly to the computer.
9. Lift the display assembly straight up and remove it ❸.



Removing the Display Assembly

Display Assembly Subcomponent

Spare Part Number Information

Display Plastics Kits

For use with dual-lamp displays 412269-001

For use with single-lamp displays 403881-001

Includes:

- Display bezel
 - Display enclosure
 - Display release latch actuator and hooks (not illustrated)
-

Display Hinge Kits

For use with dual-lamp displays 412270-001

For use with single-lamp displays 403884-001

Display inverter boards

For use with dual-lamp displays 412268-001

For use with single-lamp displays 403831-001

Display Panel Kits (include display panel cable)

17-inch, WSXGA+,TFT, single-lamp with BrightView 417617-001

17-inch, WXGA+,TFT, single-lamp with BrightView 417616-001

Wireless Antenna Kit (includes cable and transceivers) 403882-001

Display Cable Kits (not illustrated)

For use with dual-lamp displays 412271-001

For use with single-lamp displays 403885-001

Display Label Kit (not illustrated) 403887-001

Display Screw Kit (not illustrated), includes: 403886-001

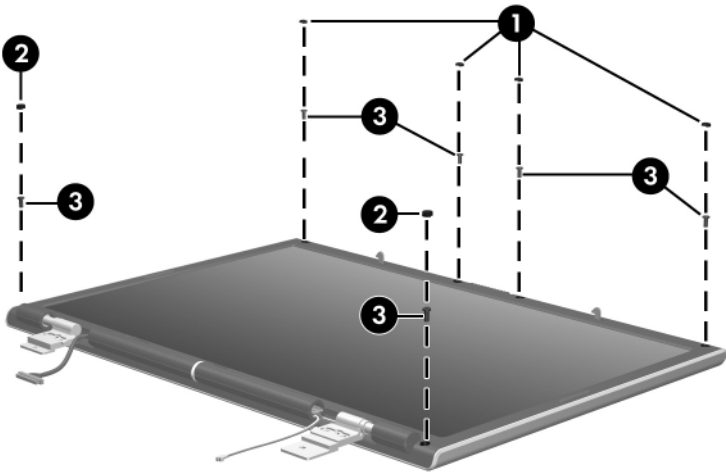
- Phillips PM2.5×7.0 screws
 - Phillips PM2.5×5.0 screws
 - Rubber screw covers
-

Pad Kit (not illustrated), includes rubber screw covers 403815-001

- Remove the six rubber screw covers **1** and **2** and the six Phillips PM2.5×7.0 screws **3** that secure the display bezel to the display assembly.

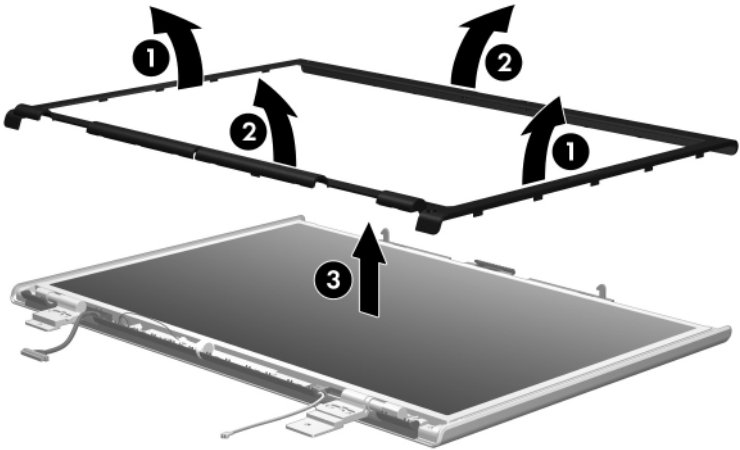


The four rubber screw covers **1** on the top edge of the display bezel are larger than the two rubber screw covers **2** on the bottom edge of the bezel.



Removing the Display Bezel Screws

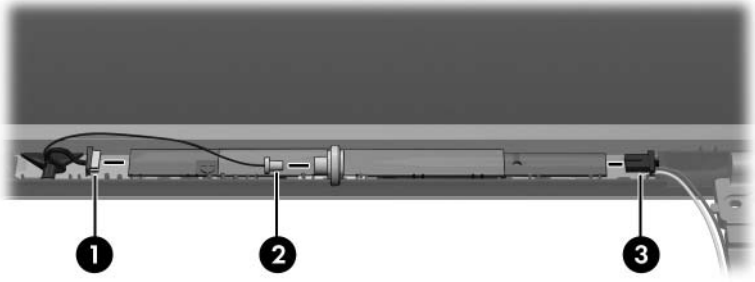
11. Flex the inside edges of the left and right sides **①** and the top and bottom sides **②** of the display bezel until the bezel disengages from the display assembly.
12. Remove the display bezel **③**.



Removing the Display Bezel

13. Disconnect the following cables:

- ❶ Display panel cable
- ❷ Light sensor cable
- ❸ Display inverter cable



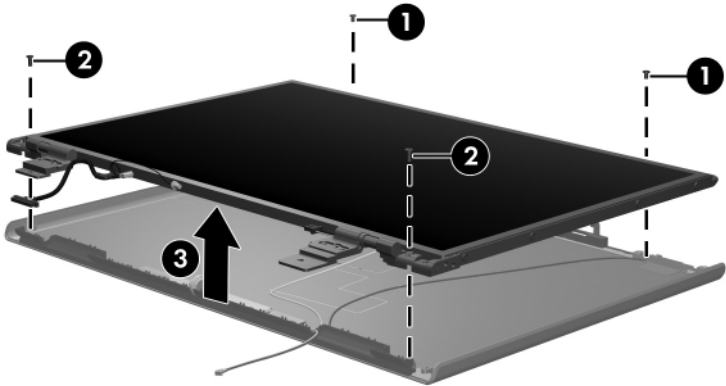
Disconnecting the Display Panel Cables

Display Assembly Subcomponents

Spare Part Number Information

Display Panel Kits (include display panel cable)	
17-inch, WSXGA+,TFT, single-lamp with BrightView	417617-001
17-inch, WXGA+,TFT, single-lamp with BrightView	417616-001

14. Remove the two Phillips PM2.5×4.0 screws ❶ and the two Phillips PM2.5×7.0 screws ❷ that secure the display panel to the display enclosure.
15. Remove the display panel ❸.



Removing the Display Panel

Display Assembly Subcomponents

Spare Part Number Information

Display Hinge Kits

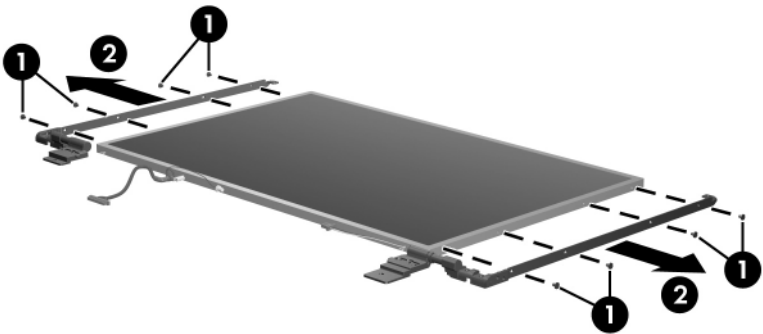
For use with dual-lamp displays

412270-001

For use with single-lamp displays

403884-001

16. Remove the four Phillips PM2.0×4.0 screws ❶ that secure each display hinge to the display panel.
17. Remove the display hinges ❷.



Removing the Display Hinges

Display Assembly Subcomponents

Spare Part Number Information

Display inverter boards

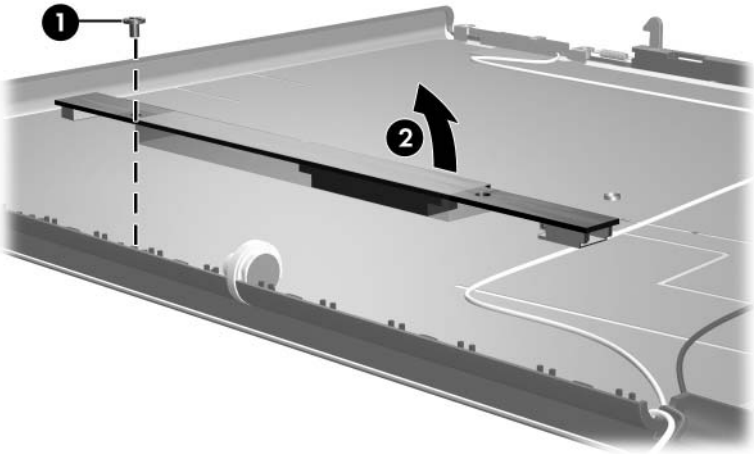
For use with dual-lamp displays

412268-001

For use with single-lamp displays

403831-001

18. Remove the Phillips PM2.0×4.0 screw ❶ that secures the display inverter board to the display enclosure.
19. Swing the top edge of the board ❷ up and forward and remove it.



Removing the Display Inverter Board

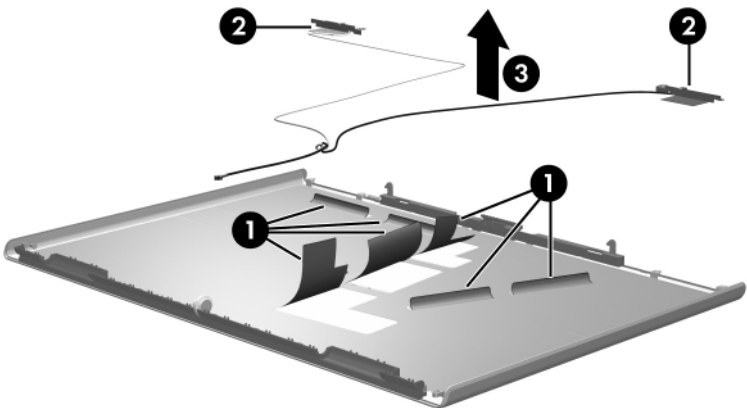
Display Assembly Subcomponents

Spare Part Number Information

Wireless Antenna Kit (includes cable and transceivers)

403882-001

20. Release the retention tabs **1** built in to the display enclosure lining that secure the wireless antenna cables to the display enclosure.
21. Detach the wireless antenna transceivers **2** from the display enclosure.
22. Remove the wireless antenna transceivers and cables **3**.



Removing the Wireless Antenna Transceivers and Cables

Reverse the above procedure to reassemble and install the display assembly.

5.15 Top Cover

Top Cover Spare Part Number Information

Top cover (includes TouchPad)

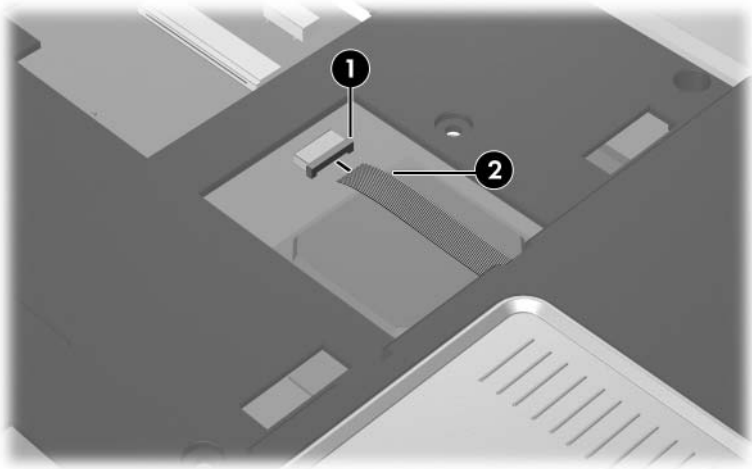
403822-001

1. Prepare the computer for disassembly ([Section 5.3](#)) and then remove the following components:
 - a. Hard drive ([Section 5.4](#))
 - b. Memory/Mini PCI module compartment cover ([Section 5.6](#))
 - c. Optical drive ([Section 5.9](#))
 - d. Switch cover ([Section 5.10](#))
 - e. Keyboard assembly frame ([Section 5.11](#))
 - f. Display assembly ([Section 5.14](#))

2. Release the ZIF connector to which the TouchPad cable ❶ is connected and disconnect the TouchPad cable ❷ from the system board.



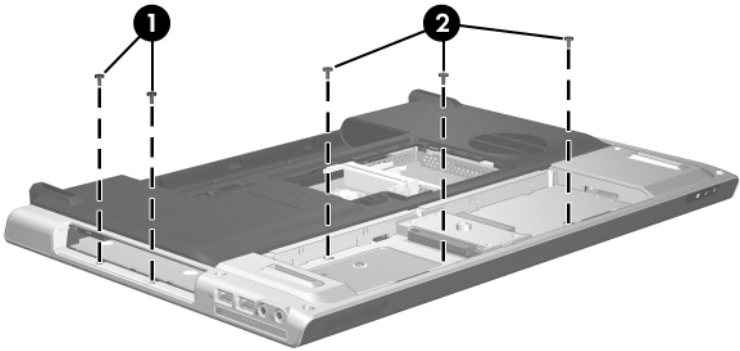
The TouchPad cable is included in the Cable Kit, spare part number 403814-001.



Disconnecting the TouchPad Cable

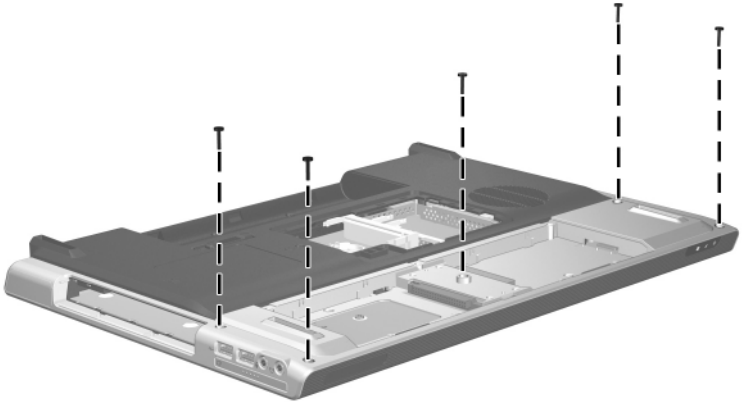
3. Turn the computer upside down with the front toward you.

4. Remove the two Phillips PM2.5×4.0 screws ❶ and three silver Phillips PM2.5×6.0 screws ❷ that secure the top cover to the computer.



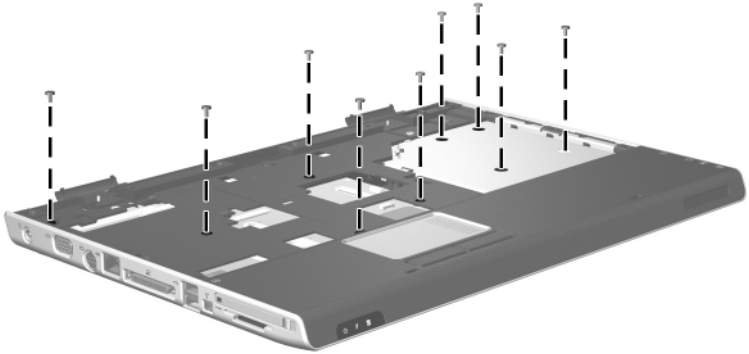
Removing the Top Cover Screws, Part 1

5. Remove the five Phillips PM2.5×13.0 screws that secure the top cover to the computer.



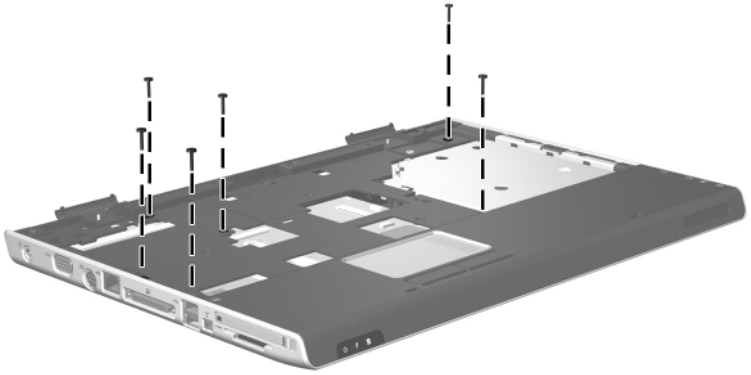
Removing the Top Cover Screws, Part 2

6. Turn the computer right-side up with the front toward you.
7. Remove the nine silver Phillips PM2.5×6.0 screws that secure the top cover to the computer.



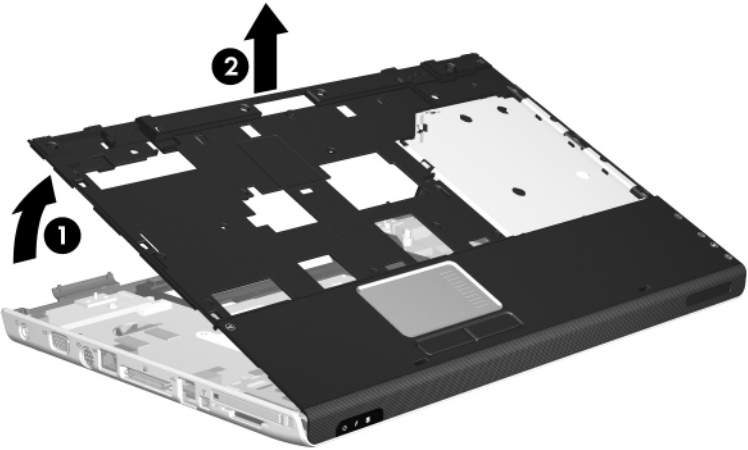
Removing the Top Cover Screws, Part 3

8. Remove the six Phillips PM2.5×13.0 screws that secure the top cover to the computer.



Removing the Top Cover Screws, Part 4

9. Lift up the rear edge of the top cover ❶ until it disengages from the base enclosure.
10. Lift the top cover ❷ straight up and remove it.



Removing the Top Cover

Reverse the above procedure to install the top cover.

5.16 System Board

System Board Spare Part Number Information

For use with HP Pavilion dv8200 models	417029-001
For use with HP Pavilion dv8000 models	403790-001



When replacing the system board, ensure that the following components are removed from the defective system board and installed on the replacement system board:

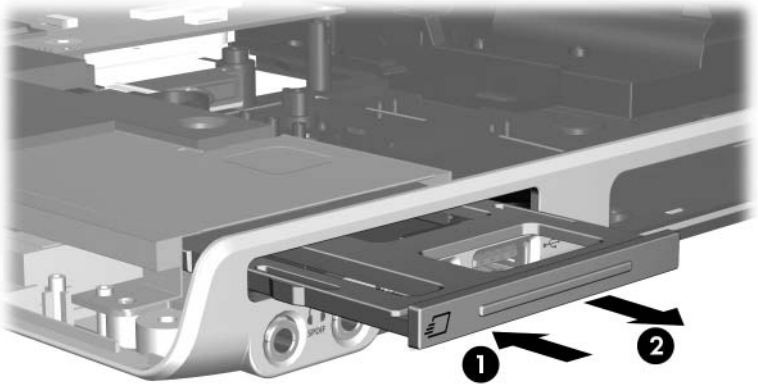
- Memory modules ([Section 5.6](#))
 - Mini PCI communications module ([Section 5.7](#))
 - RTC battery ([Section 5.8](#))
 - Speaker ([Section 5.20](#))
 - Heat sink ([Section 5.21](#))
 - Processor ([Section 5.22](#))
 - Fan assembly ([Section 5.23](#))
 - PC Card assembly ([Section 5.24](#))
-

1. Prepare the computer for disassembly ([Section 5.3](#)), and then remove the following components:
 - a. Hard drive ([Section 5.4](#))
 - b. Memory/Mini PCI module compartment cover ([Section 5.6](#))
 - c. Optical drive ([Section 5.9](#))
 - d. Switch cover ([Section 5.10](#))
 - e. Keyboard assembly frame ([Section 5.11](#))
 - f. Display assembly ([Section 5.14](#))
 - g. Top cover ([Section 5.15](#))

2. Press in on the ExpressCard slot bezel ❶ to release it.
3. Remove the ExpressCard slot bezel ❷.



The ExpressCard slot bezel is included in the Plastics Kit, spare part number 403812-001.

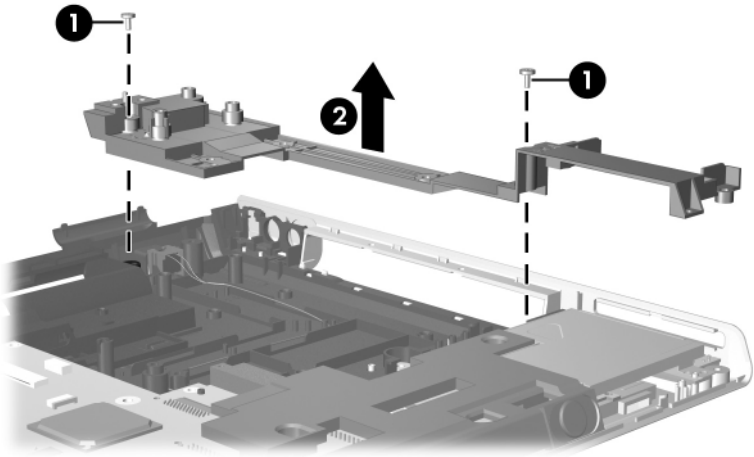


Removing the ExpressCard Slot Bezel

4. Remove the two silver Phillips PM2.5×6.0 screws **1** that secure the display hinge support bracket to the computer.
5. Remove the display hinge support bracket **2**.



The display hinge support bracket is included in the Plastics Kit, spare part number 403816-001.



Removing the Display Hinge Support Bracket

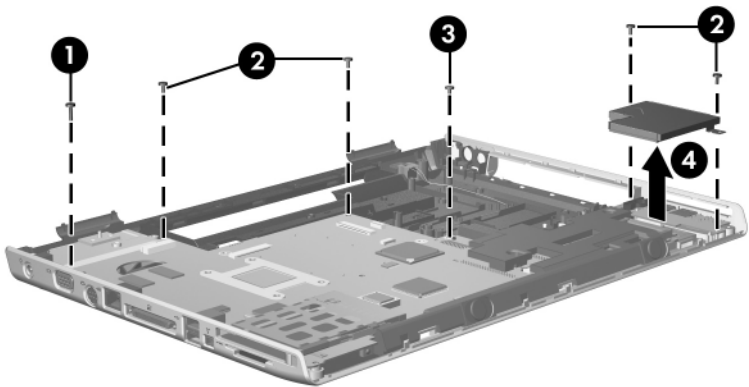
6. Remove the following screws:

- ❶ One Phillips PM2.5×9.0 screw that secures the system board to the base enclosure
- ❷ Four silver Phillips PM2.5×6.0 screws that secure the system board to the base enclosure
- ❸ One Phillips PM2.5×4.0 screw that secures the connector board to the base enclosure

7. Remove the ExpressCard assembly ❹.



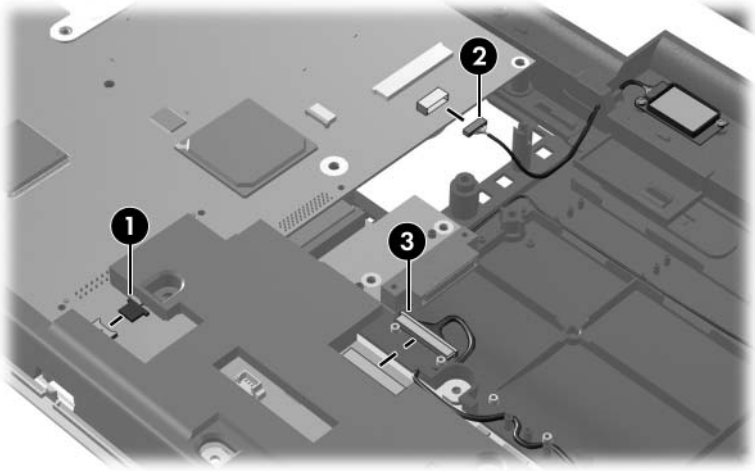
The ExpressCard assembly is available using spare part number 403838-001.



Removing the System Board Screws

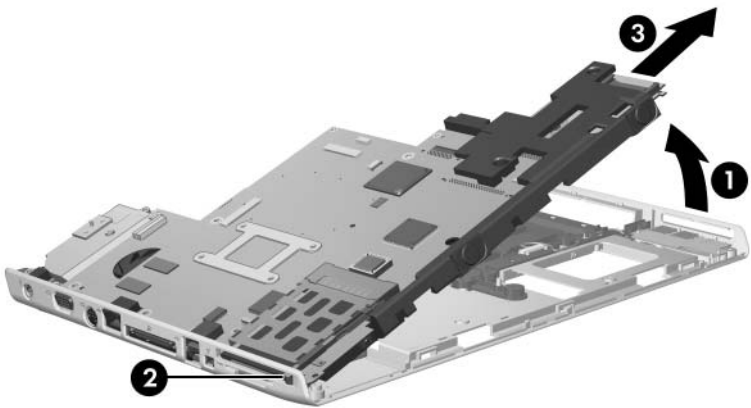
8. Disconnect the following cables from the system board:

- ❶ Modem cable
- ❷ Bluetooth module cable
- ❸ USB board cable



Disconnecting the Modem, Bluetooth Module, and USB Board Cables

9. Lift the right side of the system board **1** until the right side of the board is clear of the base enclosure.
10. Make sure the PC Card eject button **2** is depressed and clears the base enclosure.
11. Slide the system board **3** to the right at an angle and remove it.

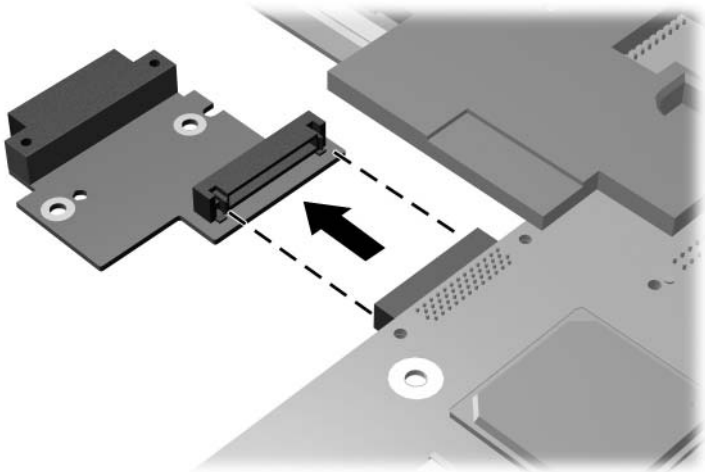


Removing the System Board

12. Remove the optical drive connector board from the system board.



The optical drive connector board is available using spare part numbers 403829-002 (for use with HP Pavilion dv8000 models) and 417031-001 (for use with HP Pavilion dv8200 models).



Removing the Optical Drive Connector Board

Reverse the above procedures to install the system board.

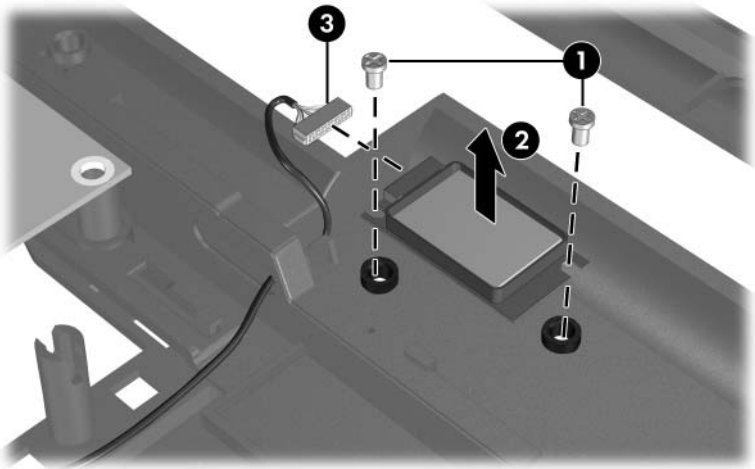
5.17 Bluetooth Module

Bluetooth Module Spare Part Number Information

Bluetooth module (includes Bluetooth module cable)	397922-001
--	------------

1. Prepare the computer for disassembly ([Section 5.3](#)), and then remove the following components:
 - a. Hard drive ([Section 5.4](#))
 - b. Memory/Mini PCI module compartment cover ([Section 5.6](#))
 - c. Optical drive ([Section 5.9](#))
 - d. Switch cover ([Section 5.10](#))
 - e. Keyboard assembly frame ([Section 5.11](#))
 - f. Display assembly ([Section 5.14](#))
 - g. Top cover ([Section 5.15](#))

2. Remove the two Phillips PM2.0×4.0 screws **1** that secure the Bluetooth module to the base enclosure
3. Remove the Bluetooth module from the base enclosure **2**.
4. Disconnect the Bluetooth module cable **3** from the Bluetooth module.

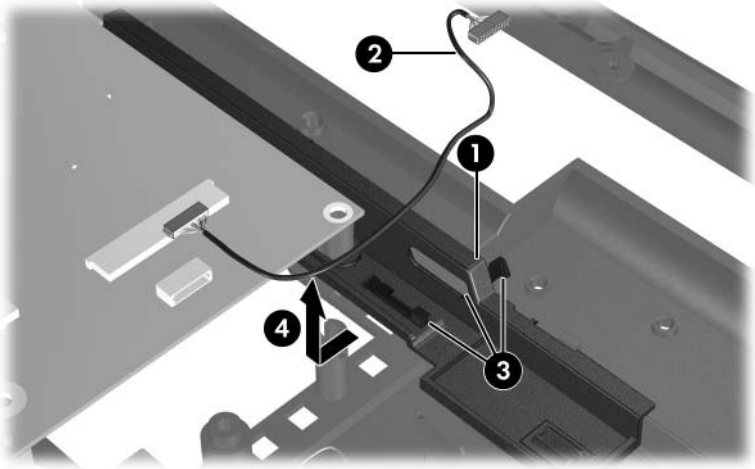


Removing the Bluetooth Module

5. Slide and hold the battery release latch acuator **1** to the right.
6. Slide the Bluetooth module cable **2** through the hole in the battery release latch actuator **3** and the clips in the base enclosure.
7. Remove the Bluetooth module cable **4** from the clip in the base enclosure.



The Bluetooth module cable is included with the Bluetooth module and is also available in the Cable Kit, spare part number 403814-001.



Removing the Bluetooth Module Cable

Reverse the above procedure to install the Bluetooth module.

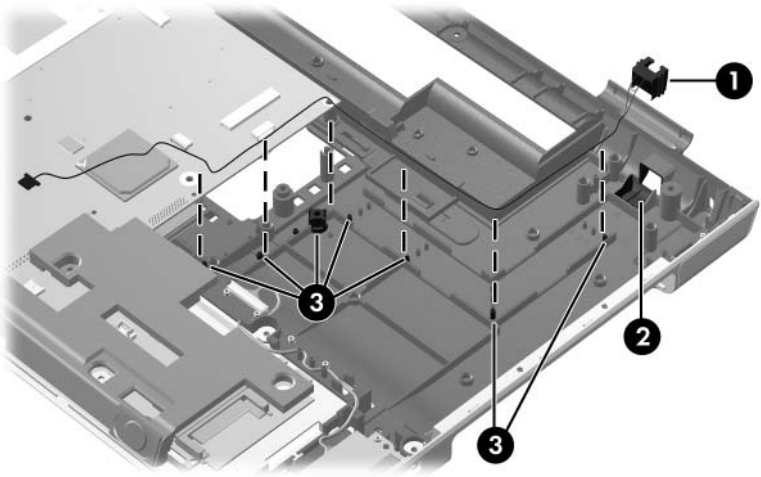
5.18 Modem Connector Cable



The modem connector cable is included in the Cable Kit, spare part number 403814-001.

1. Prepare the computer for disassembly ([Section 5.3](#)), and then remove the following components:
 - a. Hard drive ([Section 5.4](#))
 - b. Memory/Mini PCI module compartment cover ([Section 5.6](#))
 - c. Optical drive ([Section 5.9](#))
 - d. Switch cover ([Section 5.10](#))
 - e. Keyboard assembly frame ([Section 5.11](#))
 - f. Display assembly ([Section 5.14](#))
 - g. Top cover ([Section 5.15](#))

2. Remove the modem connector **1** from the clip **2** in the base enclosure.
3. Remove the modem connector cable from the routing channel **3** in the base enclosure.



Removing the Modem Connector Cable

Reverse the above procedure to install the modem connector cable.

5.19 USB Board

USB Board Spare Part Number Information

USB boards (includes USB board and USB board cable)

For use with HP Pavilion dv8200 models

417032-001

For use with HP Pavilion dv8000 models

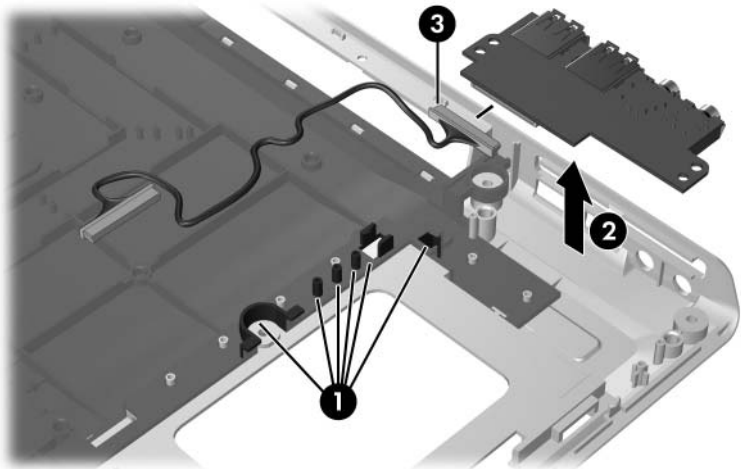
403830-001

1. Prepare the computer for disassembly ([Section 5.3](#)), and then remove the following components:
 - a. Hard drive ([Section 5.4](#))
 - b. Memory/Mini PCI module compartment cover ([Section 5.6](#))
 - c. Optical drive ([Section 5.9](#))
 - d. Switch cover ([Section 5.10](#))
 - e. Keyboard assembly frame ([Section 5.11](#))
 - f. Display assembly ([Section 5.14](#))
 - g. Top cover ([Section 5.15](#))
 - h. System board ([Section 5.16](#))

2. Remove the USB cable from the routing clips **1** in the base enclosure.
3. Remove the USB board **2** from the base enclosure.
4. Disconnect the USB board cable **3** from the USB board.



The USB board cable is included with the USB board and is also available in the Cable Kit, spare part number 403814-001.



Removing the USB Board

Reverse the above procedure to install a USB board.

5.20 Speakers

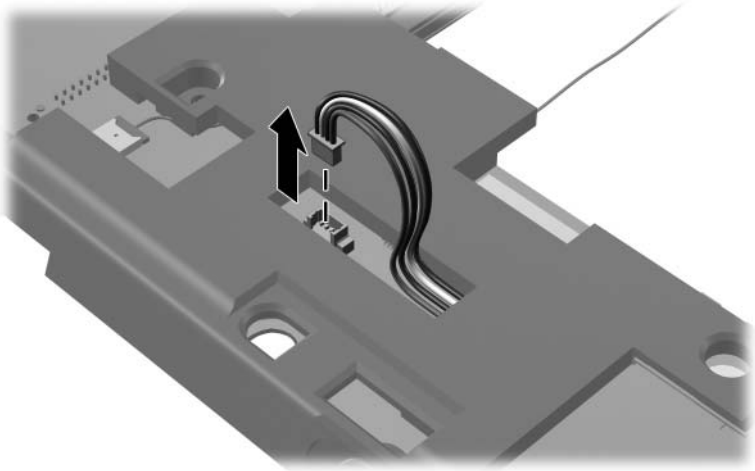
Speaker Spare Part Number Information

Speakers

403825-001

1. Prepare the computer for disassembly ([Section 5.3](#)), and then remove the following components:
 - a. Hard drive ([Section 5.4](#))
 - b. Memory/Mini PCI module compartment cover ([Section 5.6](#))
 - c. Optical drive ([Section 5.9](#))
 - d. Switch cover ([Section 5.10](#))
 - e. Keyboard assembly frame ([Section 5.11](#))
 - f. Display assembly ([Section 5.14](#))
 - g. Top cover ([Section 5.15](#))
 - h. System board ([Section 5.16](#))

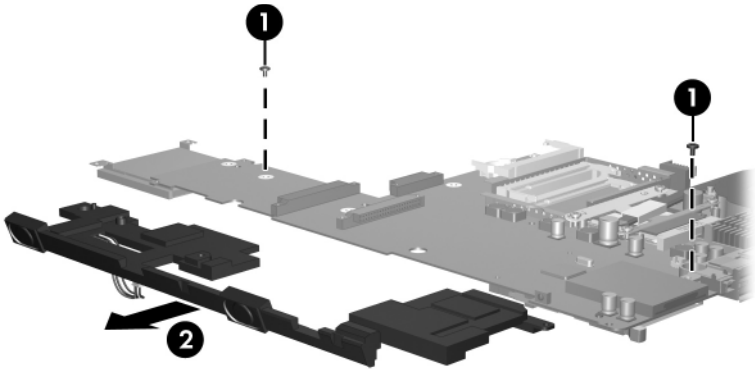
2. Disconnect the speaker cable from the system board.



Disconnecting the Speaker Cable

3. Turn the system board upside down with the front toward you.

4. Remove the two silver Phillips PM2.5×6.0 screws ❶ that secure the speaker to the system board.
5. Slide the speaker ❷ forward until it clears the system board.



Removing the Speaker

Reverse the above procedure to install the speaker.

5.21 Heat Sink

Heat Sink Spare Part Number Information

Heat sink (includes thermal paste)

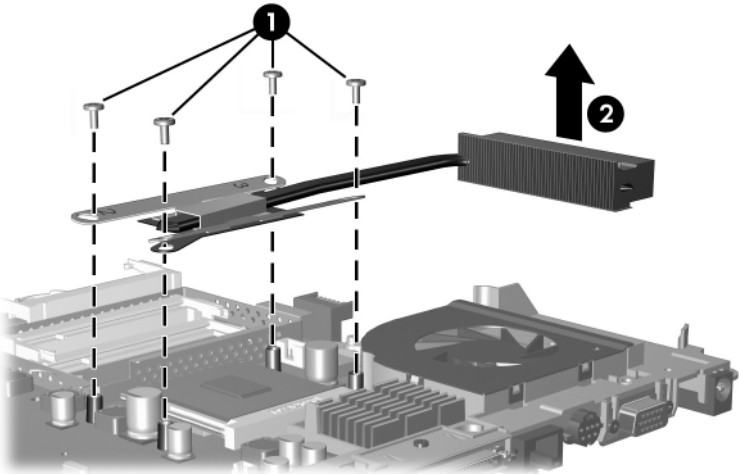
403827-001

1. Prepare the computer for disassembly ([Section 5.3](#)), and then remove the following components:
 - a. Hard drive ([Section 5.4](#))
 - b. Memory/Mini PCI module compartment cover ([Section 5.6](#))
 - c. Optical drive ([Section 5.9](#))
 - d. Switch cover ([Section 5.10](#))
 - e. Keyboard assembly frame ([Section 5.11](#))
 - f. Display assembly ([Section 5.14](#))
 - g. Top cover ([Section 5.15](#))
 - h. System board ([Section 5.16](#))

2. Turn the system board upside down with the expansion port 2 toward you.
3. Remove the four silver Phillips PM2.5×6.0 screws ❶ that secure the heat sink to the system board.
4. Remove the heat sink ❷.



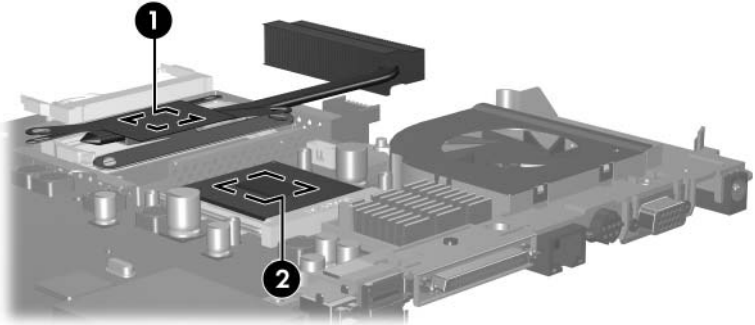
Due to the adhesive quality of the thermal paste located between the heat sink and processor, it may be necessary to move the heat sink from side to side to detach the heat sink from the processor.



Removing the Heat Sink



The thermal paste should be thoroughly cleaned from the surfaces of the heat sink **1** and processor **2** each time the heat sink is removed. Thermal paste should be reapplied to both surfaces before the heat sink is reinstalled. Thermal paste is included with all heat sink and processor spare part kits.



Replacing the Thermal Paste

Reverse the above procedure to install the heat sink.

5.22 Processor

Processor Spare Part Number Information

AMD Turion 64 ML-44 (2.4-GHz)	410324-001
AMD Turion 64 ML-40 (2.2-GHz)	430499-001
AMD Turion 64 ML-40 (2.2-GHz)	393579-001
AMD Turion 64 ML-37 (2.0-GHz)	393578-001
AMD Turion 64 ML-34 (1.8-GHz)	417030-001
AMD Turion 64 ML-32 (1.8-GHz)	395744-001
AMD Turion 64 ML-30 (1.6-GHz)	395743-001
Mobile AMD Sempron 3300 (2.0-GHz)	430860-001
Mobile AMD Sempron 3100 (1.8-GHz)	430855-001



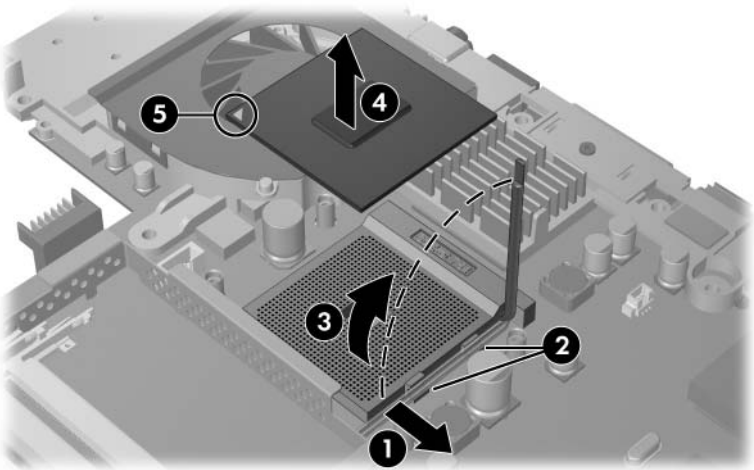
All processor spare part kits include thermal paste.

1. Prepare the computer for disassembly ([Section 5.3](#)), and then remove the following components:
 - a. Hard drive ([Section 5.4](#))
 - b. Memory/Mini PCI module compartment cover ([Section 5.6](#))
 - c. Optical drive ([Section 5.9](#))
 - d. Switch cover ([Section 5.10](#))
 - e. Keyboard assembly frame ([Section 5.11](#))
 - f. Display assembly ([Section 5.14](#))
 - g. Top cover ([Section 5.15](#))
 - h. System board ([Section 5.16](#))
 - i. Heat sink ([Section 5.21](#))

2. Slide the tip of the processor socket release arm **1** forward until it clears the notch **2** on the processor socket.
3. Swing the processor socket release arm forward **3** as far as it will go.
4. Lift the processor straight up and remove it **4**.



The gold triangle **5** on the processor should be aligned in the front right corner when you install the processor.



Removing the Processor

Reverse the above procedure to install the processor.

5.23 Fan Assembly

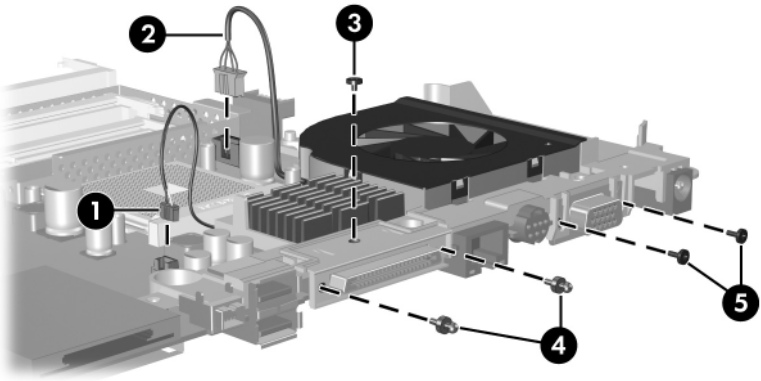
Fan Assembly Spare Part Number Information

Fan assembly

403826-001

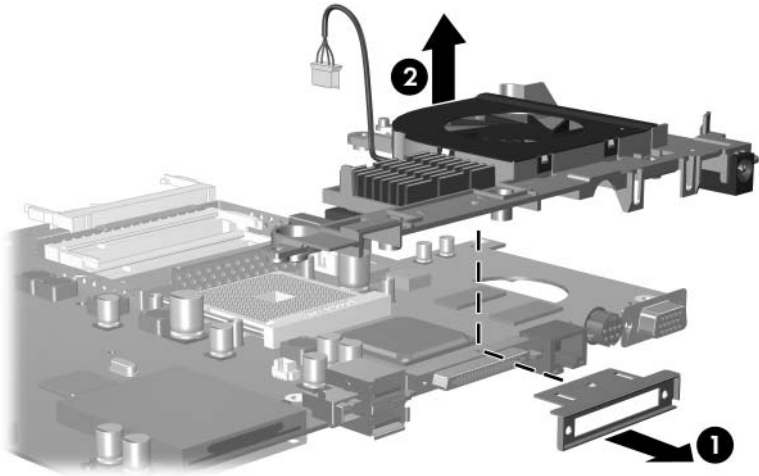
1. Prepare the computer for disassembly ([Section 5.3](#)), and then remove the following components:
 - a. Hard drive ([Section 5.4](#))
 - b. Memory/Mini PCI module compartment cover ([Section 5.6](#))
 - c. Optical drive ([Section 5.9](#))
 - d. Switch cover ([Section 5.10](#))
 - e. Keyboard assembly frame ([Section 5.11](#))
 - f. Display assembly ([Section 5.14](#))
 - g. Top cover ([Section 5.15](#))
 - h. System board ([Section 5.16](#))
 - i. Heat sink ([Section 5.21](#))

2. Disconnect the fan cable ❶ and the power connector cable ❷ from the system board.
3. Remove the following screws:
 - ❸ One Phillips PM2.5×4.0 screw that secures the expansion port bracket and fan assembly to the system board
 - ❹ Two slotted M1.5×9.0 screws on each side of the expansion port 2 connector that secure the expansion port bracket and fan assembly to the system board
 - ❺ Two Phillips PM2.5×7.0 screws on each side of the external monitor connector that secure the fan assembly to the system board



Removing the Fan Assembly Screws

4. Slide the expansion port 2 bracket **1** away from the system board.
5. Remove the fan assembly **2**.



Removing the Fan Assembly

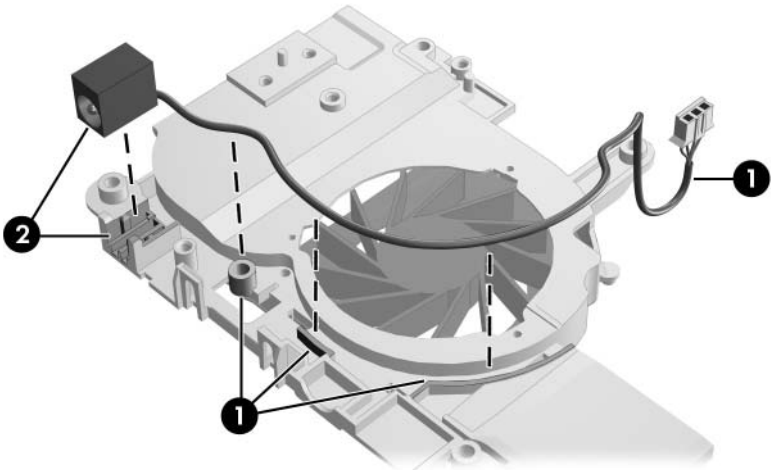


If necessary, perform the following steps to remove the power connector cable from the fan assembly.



The power connector cable is included in the Cable Kit, spare part number 403814-001.

6. Turn the fan assembly upside down with the power connector toward you.
7. Remove the power connector cable **1** from the routing channel on the fan assembly.
8. Remove the power connector **2** from the clip in the fan assembly.



Removing the Power Connector Cable

Reverse the above procedure to install the power connector cable and fan assembly.

5.24 PC Card Assembly

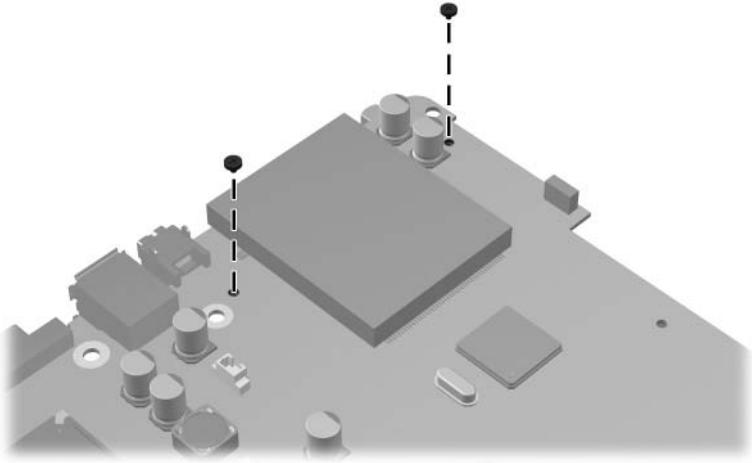
PC Card Assembly Spare Part Number Information

PC Card assembly

403835-001

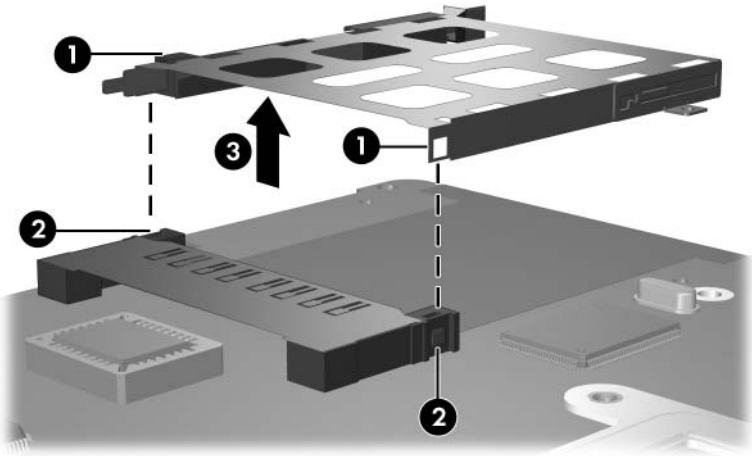
1. Prepare the computer for disassembly ([Section 5.3](#)), and then remove the following components:
 - a. Hard drive ([Section 5.4](#))
 - b. Memory/Mini PCI module compartment cover ([Section 5.6](#))
 - c. Optical drive ([Section 5.9](#))
 - d. Switch cover ([Section 5.10](#))
 - e. Keyboard assembly frame ([Section 5.11](#))
 - f. Display assembly ([Section 5.14](#))
 - g. Top cover ([Section 5.15](#))
 - h. System board ([Section 5.16](#))

2. Turn the system board upside down with the audio jacks, USB ports, and external monitor port toward you.
3. Remove the two Phillips PM2.0×4.0 screws that secure the PC Card assembly to the system board.



Removing the PC Card Assembly Screws

4. Turn the system board right-side up with the audio jacks, USB ports, and external monitor port toward you.
5. Disengage the hooks **1** on the PC Card assembly from the slots **2** on the PC Card connector and remove the PC Card assembly **3** from the system board.



Removing the PC Card Assembly

Reverse the above procedures to install the PC Card assembly.

6

Specifications

This chapter provides physical and performance specifications.

Table 6-1
Computer

Dimensions	Metric	U.S.
Height		
Front	3.76 cm	1.48 in
Rear	4.62 cm	1.82 in
Width	39.68 cm	15.62 in
Depth	28.19 cm	11.10 in
Weight		
With 17.0-inch display, optical drive and 8-cell battery	3.62 kg	7.98 lbs
Input Power		
Operating voltage	18.5 V dc to 19.0 V dc	
Operating current	4.74 A or 4.9 A	
Temperature		
Operating	10°C to 35°C	50°F to 95°F
Nonoperating	-20°C to 60°C	-4°F to 140°F

Table 6-1
Computer (Continued)

Relative humidity (noncondensing)		
Operating	10% to 90%	10% to 90%
Nonoperating	5% to 95%	5% to 95%
Maximum altitude (unpressurized)		
Operating (14.7 to 10.1 psia)	-15 m to 3,048 m	-50 ft to 10,000 ft
Nonoperating (14.7 to 4.4 psia)	-15 m to 12,192 m	-50 ft to 40,000 ft
Shock		
Operating	125 g, 2 ms, half-sine	
Nonoperating	200 g, 2 ms, half-sine	
Random Vibration		
Operating	0.75 g zero-to-peak, 10 Hz to 500 Hz, 0.25 oct/min sweep rate	
Nonoperating	1.50 g zero-to-peak, 10 Hz to 500 Hz, 0.5 oct/min sweep rate	



Applicable product safety standards specify thermal limits for plastic surfaces. The computer operates well within this range of temperatures.

Table 6-2
17.0-inch, WSXGA+, BrightView Display

Dimensions		
Height	23.00 cm	9.06 in
Width	36.80 cm	14.49 in
Diagonal	43.40 cm	17.09 in
Number of colors	Up to 16.8 million	
Contrast ratio	200:1	
Brightness	180 nits typical	
Pixel resolution		
Pitch	0.197 × 0.197 mm	
Format	1680 × 1050	
Configuration	RGB vertical stripe	
Backlight	Edge lit	
Character display	80 × 25	
Total power consumption	4 W	
Viewing angle	+/-65° horizontal, +50° vertical typical	

Table 6-3
17.0-inch, WXGA+, BrightView Display

Dimensions		
Height	23.00 cm	9.06 in
Width	36.80 cm	14.49 in
Diagonal	43.40 cm	17.09 in
Number of colors	Up to 16.8 million	
Contrast ratio	200:1	
Brightness	180 nits typical	
Pixel resolution		
Pitch	0.259 × 0.259 mm	
Format	1280 × 800	
Configuration	RGB vertical stripe	
Backlight	Edge lit	
Character display	80 × 25	
Total power consumption	4 W	
Viewing angle	+/-40° horizontal, +20/-40° vertical typical	

Table 6-4
Hard Drives

	100-GB*	80-GB*	80-GB*
Dimensions			
Height	9.5 mm	9.5 mm	9.5 mm
Width	70 mm	70 mm	70 mm
Weight	102 g	99 g	99 g
Interface type			
	ATA-5	ATA-5	ATA-5
Transfer rate			
Synchronous (maximum)	100 MB/sec	100 MB/sec	100 MB/sec
Security	ATA security	ATA security	ATA security
Seek times (typical read, including setting)			
Single track	3 ms	3 ms	3 ms
Average	13 ms	13 ms	13 ms
Maximum	24 ms	24 ms	24 ms
Logical blocks [†]			
	195,364,233	156,301,488	156,301,488
Disc rotational speed			
	4200 rpm	5400 rpm	4200 rpm
Operating temperature			
	5°C to 55°C (41°F to 131°F)		



Certain restrictions and exclusions apply. Consult Customer Care for details.

*1 GB = 1 billion bytes when referring to hard drive storage capacity. Actual accessible capacity is less.

[†]Actual drive specifications may differ slightly.

Table 6-4
Hard Drives (Continued)

	60-GB*	60-GB*	40-GB*
Dimensions			
Height	9.5 mm	9.5 mm	9.5 mm
Width	70 mm	70 mm	70 mm
Weight	102 g	99 g	99 g
Interface type			
	ATA-5	ATA-5	ATA-5
Transfer rate			
Synchronous (maximum)	100 MB/sec	100 MB/sec	100 MB/sec
Security	ATA security	ATA security	ATA security
Seek times (typical read, including setting)			
Single track	3 ms	3 ms	3 ms
Average	13 ms	13 ms	13 ms
Maximum	24 ms	24 ms	24 ms
Logical blocks[†]			
	117,210,240	117,210,240	78,140,160
Disc rotational speed			
	5400 rpm	4200 rpm	4200 rpm
Operating temperature			
	5°C to 55°C (41°F to 131°F)		



Certain restrictions and exclusions apply. Consult Customer Care for details.

*1 GB = 1 billion bytes when referring to hard drive storage capacity. Actual accessible capacity is less.

[†]Actual drive specifications may differ slightly.

Table 6-5
Primary 8-cell, Li-Ion Battery

Dimensions

Height	2.00 cm	0.79 in
Width	9.40 cm	3.70 in
Depth	13.40 cm	5.28 in
Weight	0.34 kg	0.75 lb

Energy

Voltage	11.1 V
Amp-hour capacity	4.4 Ah
Watt-hour capacity	48 Wh

Temperature

Operating	5°C to 45°C	41°F to 113°F
Nonoperating	0°C to 60°C	32°F to 140°F

Table 6-6
DVD/CD-RW Combo Drive

Applicable disc	Read: DVD-R, DVD-RW, DVD-ROM (DVD-5, DVD-9, DVD-10, DVD-18), CD-ROM (Mode 1 and 2) CD Digital Audio, CD-XA ready (Mode 2, Form 1 and 2), CD-I ready (Mode 2, Form 1 and 2), CD-R, CD-RW, Photo CD (single and multisession), and CD-Bridge	Write: CD-R and CD-RW
Center hole diameter	1.5 cm (0.59 in)	
Disc diameter		
Standard disc	12 cm (4.72 in)	
Mini disc	8 cm (3.15 in)	
Disc thickness	1.2 mm (0.047 in)	
Track pitch	0.74 μ m	
Access time	CD media	DVD media
Random	< 110 ms	< 130 ms
Full stroke	< 210 ms	< 225 ms
Audio output level	Line-out, 0.7 V rms	
Cache buffer	2 MB	
Data transfer rate		
CD-R (24X)	3600 KB/s (150 KB/s at 1X CD rate)	
CD-RW (10X)	1500 KB/s (150 KB/s at 1X CD rate)	
CD-ROM (24X)	3600 KB/s (150 KB/s at 1X CD rate)	
DVD (8X)	10,800 KB/s (1352 KB/s at 1X DVD rate)	
Multiword DMA mode 2	16.6 MB/s	
Startup time	< 15 seconds	
Stop time	< 6 seconds	

Table 6-7

DVD±RW and CD-RW Double-Layer Combo Drive

Applicable disc	Read: DVD-R, DVD-RW, DVD-ROM (DVD-5, DVD-9, DVD-10, DVD-18), CD-ROM (Mode 1 and 2), CD Digital Audio, CD-XA ready (Mode 2, Form 1 and 2), CD-I ready (Mode 2, Form 1 and 2), CD-R, CD-RW, Photo CD (single and multisession), CD-Bridge	Write: CD-R and CD-RW DVD-R and DVD-RW
Center hole diameter	1.5 cm (0.59 in)	
Disc diameter		
Standard disc	12 cm (4.72 in)	
Mini disc	8 cm (3.15 in)	
Disc thickness	1.2 mm (0.047 in)	
Track pitch	0.74 μ m	
Access time	CD	DVD
Random	< 175 ms	< 230 ms
Full stroke	< 285 ms	< 335 ms
Audio output level	Audio-out, 0.7 Vrms	
Cache buffer	2 MB	

Table 6-7

DVD±RW and CD-RW Double-Layer Combo Drive (Continued)

Data transfer rate

CD-R (16X)	2,400 KB/s (150 KB/s at 1X CD rate)
CD-RW (8X)	1,200 KB/s (150 KB/s at 1X CD rate)
CD-ROM (24X)	3,600 KB/s (150 KB/s at 1X CD rate)
DVD (8X)	10,800 KB/s (1,352 KB/s at 1X DVD rate)
DVD-R (4X)	5,400 KB/s (1,352 KB/s at 1X DVD rate)
DVD-RW (2X)	2,700 KB/s (1,352 KB/s at 1X DVD rate)
Multiword DMA mode 2	16.6 MB/s

Startup time < 15 seconds

Stop time < 6 seconds

Table 6-8

**DVD±RW and CD-RW Double-Layer Combo Drive
with LightScribe**

Applicable disc	Read: DVD-R, DVD-RW, DVD-ROM (DVD-5, DVD-9, DVD-10, DVD-18), CD-ROM (Mode 1 and 2), CD Digital Audio, CD-XA ready (Mode 2, Form 1 and 2), CD-I ready (Mode 2, Form 1 and 2), CD-R, CD-RW, Photo CD (single and multisession), CD-Bridge	Write: CD-R and CD-RW DVD-R and DVD-RW
------------------------	---	--

Center hole diameter 1.5 cm (0.59 in)

Disc diameter

Standard disc	12 cm (4.72 in)
Mini disc	8 cm (3.15 in)

Table 6-8
DVD±RW and CD-RW Double-Layer Combo Drive
with LightScribe (Continued)

Disc thickness	1.2 mm (0.047 in)	
Track pitch	0.74 μm	
Access time	CD	DVD
Random	< 175 ms	< 230 ms
Full stroke	< 285 ms	< 335 ms
Audio output level	Audio-out, 0.7 Vrms	
Cache buffer	2 MB	
Data transfer rate		
CD-R (16X)	2,400 KB/s (150 KB/s at 1X CD rate)	
CD-RW (8X)	1,200 KB/s (150 KB/s at 1X CD rate)	
CD-ROM (24X)	3,600 KB/s (150 KB/s at 1X CD rate)	
DVD (8X)	10,800 KB/s (1,352 KB/s at 1X DVD rate)	
DVD-R (4X)	5,400 KB/s (1,352 KB/s at 1X DVD rate)	
DVD-RW (2X)	2,700 KB/s (1,352 KB/s at 1X DVD rate)	
Multiword DMA mode 2	16.6 MB/s	
Startup time	< 15 seconds	
Stop time	< 6 seconds	

Table 6-9
System DMA

Hardware DMA	System Function
DMA0	Not applicable
DMA1*	Not applicable
DMA2*	Not applicable
DMA3	Not applicable
DMA4	Direct memory access controller
DMA5*	Available for PC Card
DMA6	Not assigned
DMA7	Not assigned

*PC Card controller can use DMA 1, 2, or 5.

Table 6-10
System Interrupts

Hardware IRQ	System Function
IRQ0	System timer
IRQ1	Standard 101-/102-Key or Microsoft Natural Keyboard
IRQ2	Cascaded
IRQ3	USB2 Enhanced Host Controller—24CD
IRQ4	COM1
IRQ5*	Conexant AC—Link Audio Data Fax Modem with SmartCP
IRQ6	Diskette drive
IRQ7*	Parallel port
IRQ8	System CMOS/real-time clock
IRQ9*	Microsoft ACPI-compliant system
IRQ10*	Realtek RTL8139 Family PCI fast Ethernet Controller

Table 6-10
System Interrupts (*Continued*)

IRQ11	TI OHCI 1394 host controller TI PCI1410 CardBus controller
IRQ12	Synaptics PS/2 TouchPad
IRQ13	Numeric data processor
IRQ14	Primary IDE channel
IRQ15	Secondary IDE channel

*Default configuration; audio possible configurations are IRQ5, IRQ7, IRQ9, IRQ10, or none.



PC Cards may assert IRQ3, IRQ4, IRQ5, IRQ7, IRQ9, IRQ10, IRQ11, or IRQ15. Either the infrared or the serial port may assert IRQ3 or IRQ4.

Table 6-11
System I/O Addresses

I/O Address (hex)	System Function (shipping configuration)
000 - 00F	DMA controller no. 1
010 - 01F	Unused
020 - 021	Interrupt controller no. 1
022 - 024	Opti chipset configuration registers
025 - 03F	Unused
02E - 02F	87334 "Super I/O" configuration for CPU
040 - 05F	Counter/timer registers
044 - 05F	Unused
060	Keyboard controller
061	Port B
062 - 063	Unused
064	Keyboard controller
065 - 06F	Unused
070 - 071	NMI enable/RTC
072 - 07F	Unused
080 - 08F	DMA page registers
090 - 091	Unused
092	Port A
093 - 09F	Unused
0A0 - 0A1	Interrupt controller no. 2

Table 6-11
System I/O Addresses (*Continued*)

I/O Address (hex)	System Function (shipping configuration)
0A2 - 0BF	Unused
0C0 - 0DF	DMA controller no. 2
0E0 - 0EF	Unused
0F0 - 0F1	Coprocessor busy clear/reset
0F2 - 0FF	Unused
100 - 16F	Unused
170 - 177	Secondary fixed disk controller
178 - 1EF	Unused
1F0 - 1F7	Primary fixed disk controller
1F8 - 200	Unused
201	Joystick (decoded in ESS1688)
202 - 21F	Unused
220 - 22F	Entertainment audio
230 - 26D	Unused
26E - 26	Unused
278 - 27F	Unused
280 - 2AB	Unused
2A0 - 2A7	Unused
2A8 - 2E7	Unused
2E8 - 2EF	Reserved serial port

Table 6-11
System I/O Addresses (Continued)

I/O Address (hex)	System Function (shipping configuration)
2F0 - 2F7	Unused
2F8 - 2FF	Infrared port
300 - 31F	Unused
320 - 36F	Unused
370 - 377	Secondary diskette drive controller
378 - 37F	Parallel port (LPT1/default)
380 - 387	Unused
388 - 38B	FM synthesizer—OPL3
38C - 3AF	Unused
3B0 - 3BB	VGA
3BC - 3BF	Reserved (parallel port/no EPP support)
3C0 - 3DF	VGA
3E0 - 3E1	PC Card controller in CPU
3E2 - 3E3	Unused
3E8 - 3EF	Internal modem
3F0 - 3F7	“A” diskette controller
3F8 - 3FF	Serial port (COM1/default)
CF8 - CFB	PCI configuration index register (PCIDIVO-1)
CFC - CFF	PCI configuration data register (PCIDIVO-1)

Table 6-12
System Memory Map

Size	Memory Address	System Function
640 KB	00000000-0009FFFF	Base memory
128 KB	000A0000-000BFFFF	Video memory
48 KB	000C0000-000CBFFF	Video BIOS
160 KB	000C8000-000E7FFF	Unused
64 KB	000E8000-000FFFFF	System BIOS
15 MB	00100000-00FFFFFF	Extended memory
58 MB	01000000-047FFFFF	Super extended memory
58 MB	04800000-07FFFFFF	Unused
2 MB	08000000-080FFFFF	Video memory (direct access)
4 GB	08200000-FFFEFFFF	Unused
64 KB	FFFF0000-FFFFFFFF	System BIOS



A

Screw Listing

This appendix provides specification and reference information for the screws and screw locks used in the computer. All screws listed in this appendix are available in the Computer Screw Kit, spare part number 403813-001, and the Display Screw Kit, spare part number 403886-001.

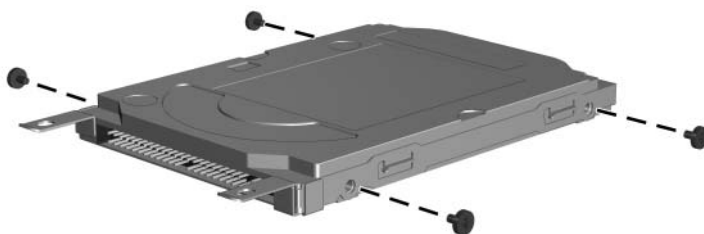
Table A-1

Phillips PM3.0x4.0 Screw

 mm	Color	Qty.	Length	Thread	Head Width
	Black	4	4.0 mm	3.0 mm	4.5 mm

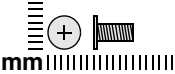
Where used:

4 screws that secure the hard drive frame to the hard drive (documented in [Section 5.4](#))



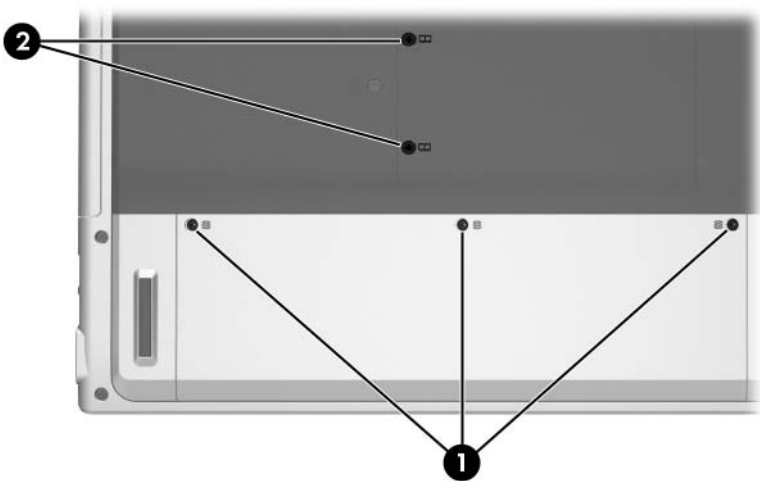
Phillips PM3.0x4.0 Screw Locations

Table A-2
Black Phillips PM2.5×6.0 Screw

 mm	Color	Qty.	Length	Thread	Head Width
	Black	5	6.0 mm	2.5 mm	5.0 mm

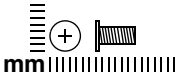
Where used:

- ❶ Three screws that secure the hard drive cover to the computer (screws are captured on the cover by C clips; documented in [Section 5.4](#))
- ❷ Two screws that secure the memory/Mini PCI module compartment cover to the computer (screw is captured on the cover by C clips; documented in [Section 5.6](#))



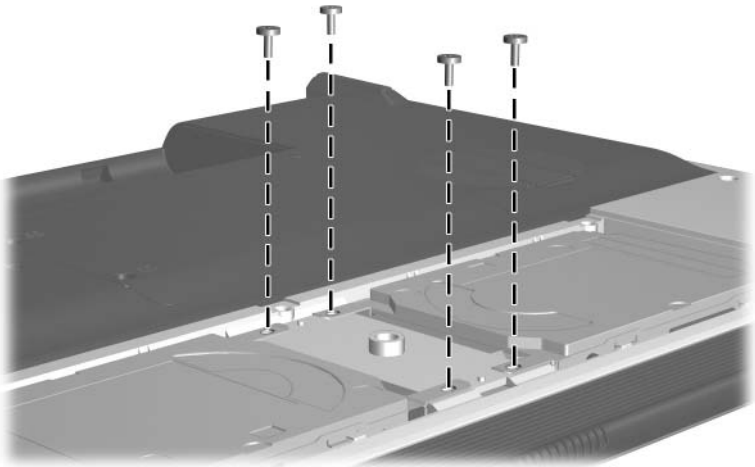
Black Phillips PM2.5×6.0 Screw Locations

Table A-3
Silver Phillips PM2.5×6.0 Screw

 mm	Color	Qty.	Length	Thread	Head Width
Silver	29	6.0 mm	2.5 mm	4.5 mm	

Where used:

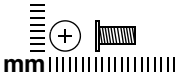
4 screws that secure the hard drive to the computer (documented in [Section 5.4](#))



Silver Phillips PM2.5×6.0 Screw Locations

Table A-3

Silver Phillips PM2.5x6.0 Screw (Continued)

	Color	Qty.	Length	Thread	Head Width
	Silver	29	6.0 mm	2.5 mm	4.5 mm

Where used:

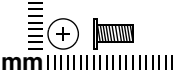
One screw that secures the keyboard assembly to the computer (documented in [Section 5.11](#))



Silver Phillips PM2.5x6.0 Screw Location

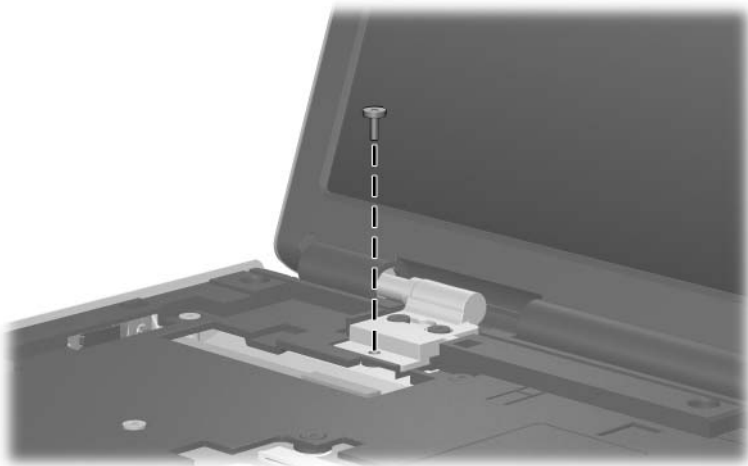
Table A-3

Silver Phillips PM2.5x6.0 Screw (*Continued*)

	Color	Qty.	Length	Thread	Head Width
	Silver	29	6.0 mm	2.5 mm	4.5 mm

Where used:

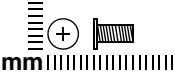
One screw that secures the display assembly to the computer (documented in [Section 5.14](#))



Silver Phillips PM2.5x6.0 Screw Location

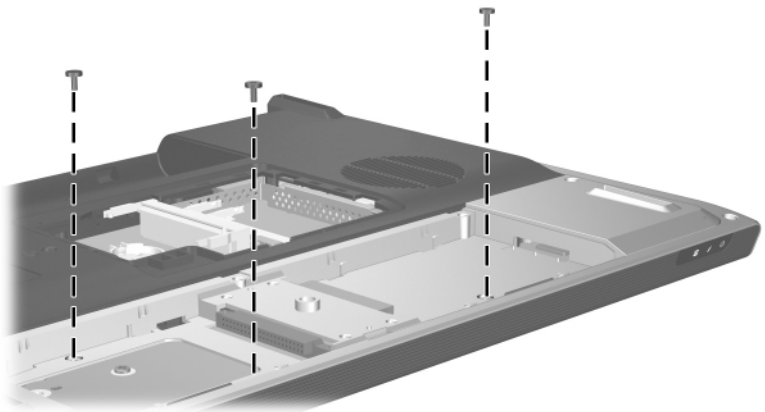
Table A-3

Silver Phillips PM2.5×6.0 Screw (*Continued*)

	Color	Qty.	Length	Thread	Head Width
	Silver	29	6.0 mm	2.5 mm	4.5 mm

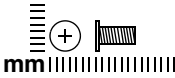
Where used:

3 screws that secure the top cover to the computer (documented in [Section 5.15](#))



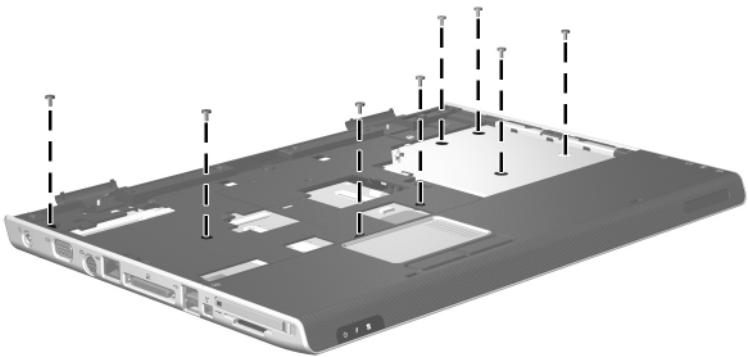
Silver Phillips PM2.5×6.0 Screw Locations

Table A-3
Silver Phillips PM2.5×6.0 Screw (Continued)

	Color	Qty.	Length	Thread	Head Width
	Silver	29	6.0 mm	2.5 mm	4.5 mm

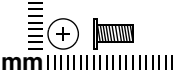
Where used:

8 screws that secure the top cover to the computer (documented in [Section 5.15](#))



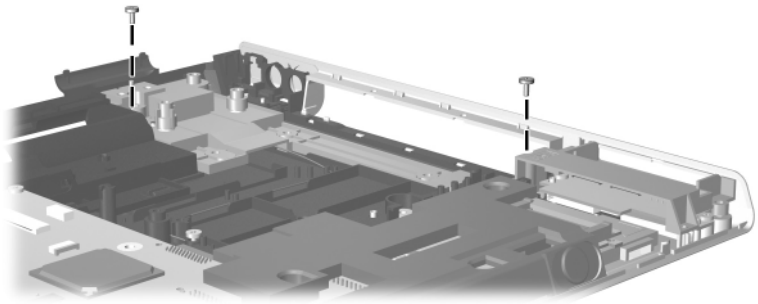
Silver Phillips PM2.5×6.0 Screw Locations

Table A-3
Silver Phillips PM2.5×6.0 Screw (Continued)

	Color	Qty.	Length	Thread	Head Width
	Silver	29	6.0 mm	2.5 mm	4.5 mm

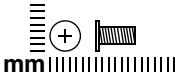
Where used:

2 screws that secure the base enclosure support bracket to the computer (documented in [Section 5.16](#))



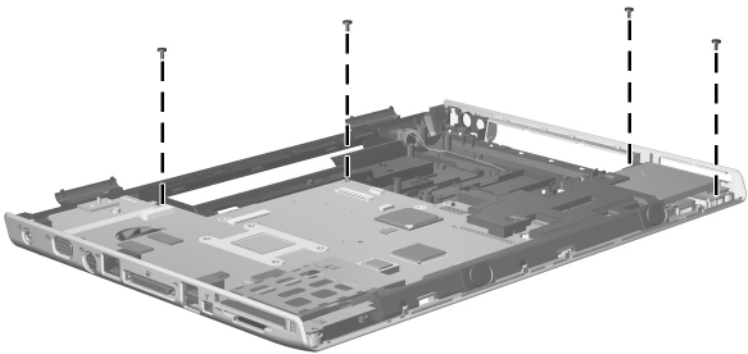
Silver Phillips PM2.5×6.0 Screw Locations

Table A-3
Silver Phillips PM2.5×6.0 Screw (Continued)

	Color	Qty.	Length	Thread	Head Width
Silver	29	6.0 mm	2.5 mm	4.5 mm	

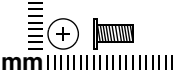
Where used:

4 screws that secure the system board to the computer (documented in [Section 5.16](#))



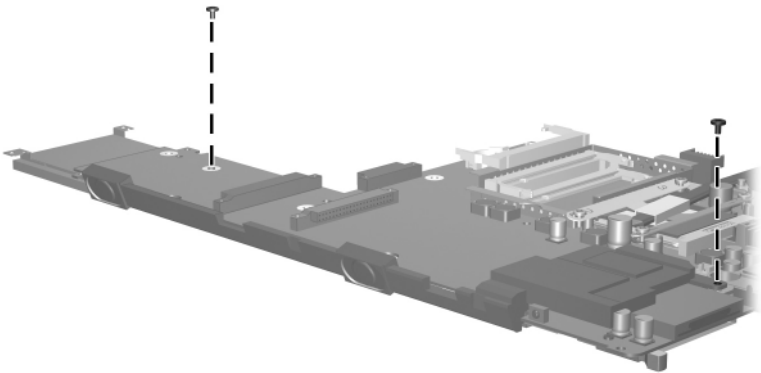
Silver Phillips PM2.5×6.0 Screw Locations

Table A-3
Phillips PM2.5x4.0 Screw (Continued)

	Color	Qty.	Length	Thread	Head Width
	Silver	29	6.0 mm	2.5 mm	4.5 mm

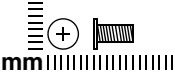
Where used:

2 screws that secure the speaker to the computer (documented in [Section 5.20](#))



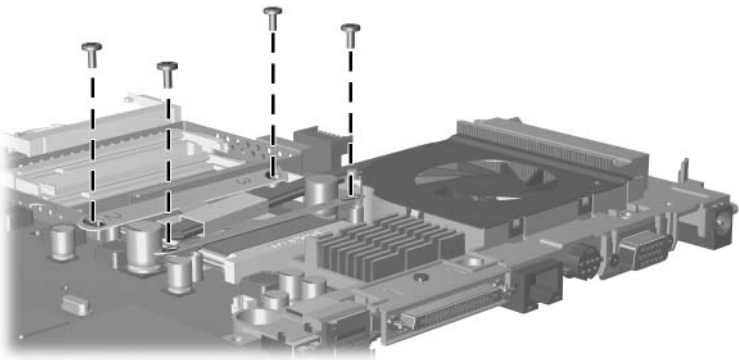
Phillips PM2.5x6.0 Screw Locations

Table A-3
Silver Phillips PM2.5×6.0 Screw (Continued)

	Color	Qty.	Length	Thread	Head Width
	Silver	29	6.0 mm	2.5 mm	4.5 mm

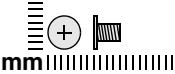
Where used:

4 screws that secure the heat sink to the computer (documented in [Section 5.21](#))



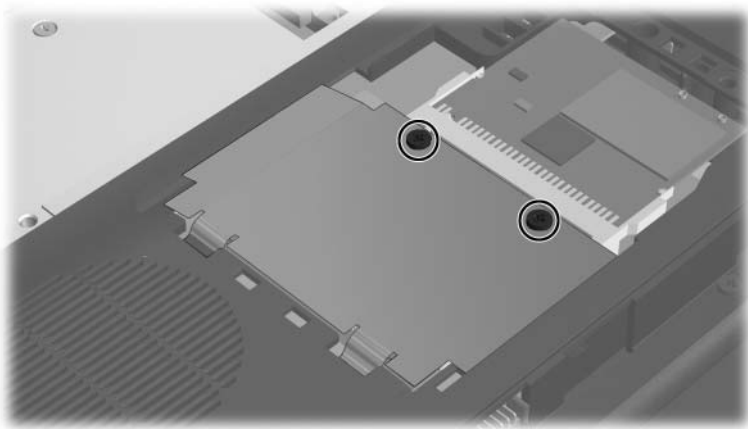
Silver Phillips PM2.5×6.0 Screw Locations

Table A-4
Phillips PM2.5×4.0 Screw

 mm	Color	Qty.	Length	Thread	Head Width
	Black	20	4.0 mm	2.5 mm	4.5 mm

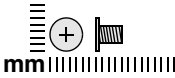
Where used:

2 screws that secure the memory shield to the computer (documented in [Section 5.6](#))



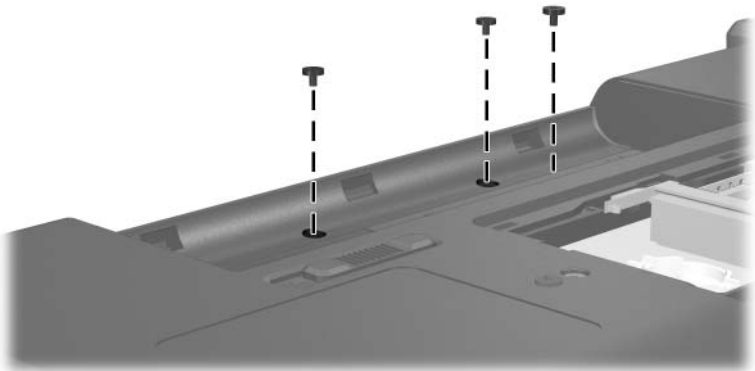
Phillips PM2.5×4.0 Screw Locations

Table A-4
Phillips PM2.5×4.0 Screw (Continued)

	Color	Qty.	Length	Thread	Head Width
	Black	20	4.0 mm	2.5 mm	4.5 mm

Where used:

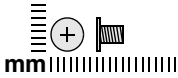
3 screws that secure the switch cover to the computer (documented in [Section 5.10](#))



Phillips PM2.5×4.0 Screw Locations

Table A-4

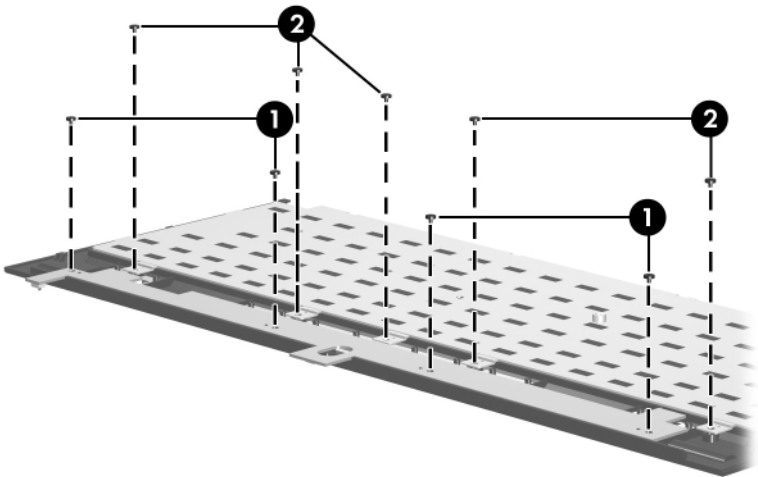
Phillips PM2.5×4.0 Screw (Continued)



Color	Qty.	Length	Thread	Head Width
Black	20	4.0 mm	2.5 mm	4.5 mm

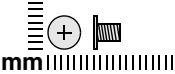
Where used:

- ❶ Four screws that secure the LED board to the keyboard frame (documented in [Section 5.12](#))
- ❷ Five screws that secure the keyboard to the keyboard frame (documented in [Section 5.13](#))



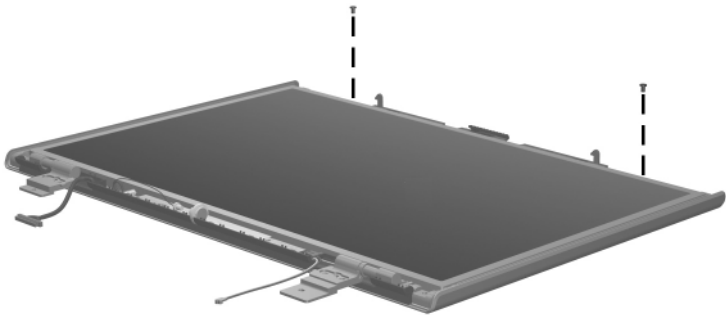
Phillips PM2.5×4.0 Screw Locations

Table A-4
Phillips PM2.5×4.0 Screw (Continued)

	Color	Qty.	Length	Thread	Head Width
	Black	20	4.0 mm	2.5 mm	4.5 mm

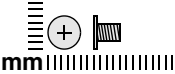
Where used:

2 screws that secure the display panel to the display enclosure (documented in [Section 5.14](#))



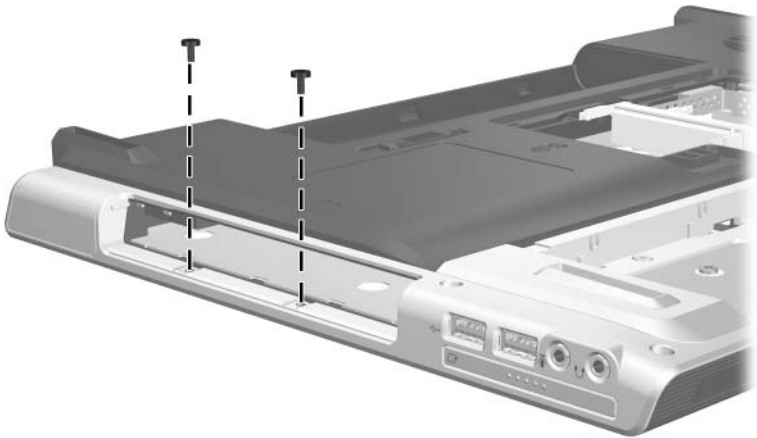
Phillips PM2.5×4.0 Screw Locations

Table A-4
Phillips PM2.5x4.0 Screw (Continued)

	Color	Qty.	Length	Thread	Head Width
	Black	20	4.0 mm	2.5 mm	4.5 mm

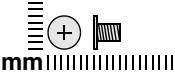
Where used:

2 screws that secure the top cover to the computer (documented in [Section 5.15](#))



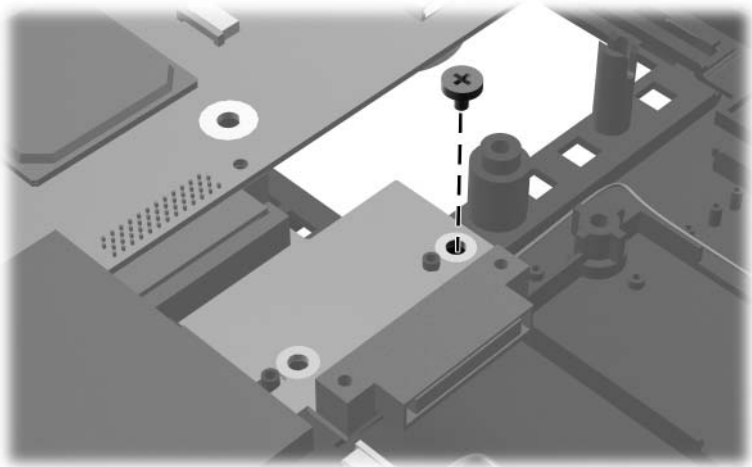
Phillips PM2.5x4.0 Screw Locations

Table A-4
Phillips PM2.5×4.0 Screw (Continued)

	Color	Qty.	Length	Thread	Head Width
	Black	20	4.0 mm	2.5 mm	4.5 mm

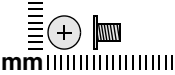
Where used:

One screw that secures the connector board to the computer (documented in [Section 5.16](#))



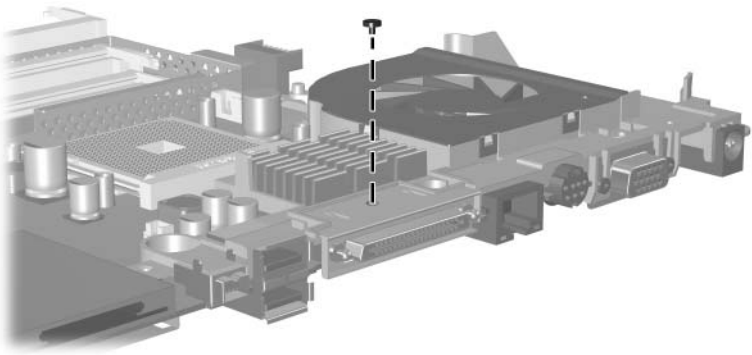
Phillips PM2.5×4.0 Screw Location

Table A-4
Phillips PM2.5x4.0 Screw (Continued)

	Color	Qty.	Length	Thread	Head Width
	Black	20	4.0 mm	2.5 mm	4.5 mm

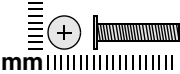
Where used:

One screw that secures the fan assembly and expansion port bracket to the system board (documented in [Section 5.23](#))



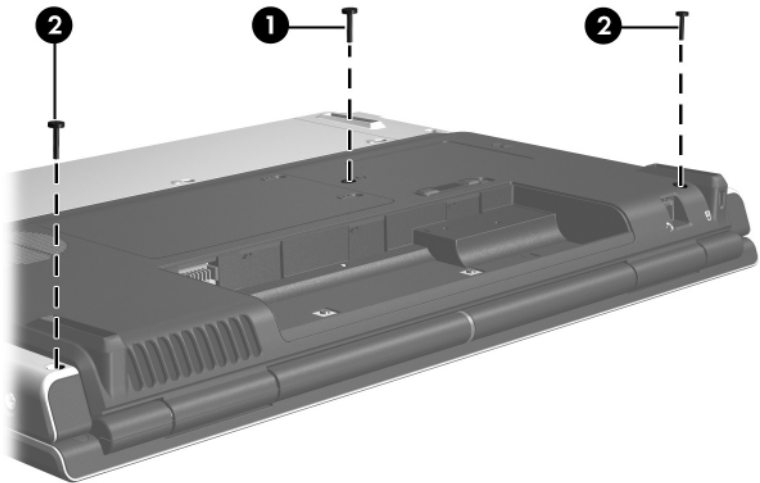
Phillips PM2.5x4.0 Screw Location

Table A-5
Phillips PM2.5×13.0 Screw

 mm	Color	Qty.	Length	Thread	Head Width
	Black	15	13.0 mm	2.5 mm	4.5 mm

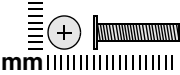
Where used:

- ❶ One screw that secures the optical drive to the computer (documented in [Section 5.9](#))
- ❷ Two screws that secure the switch cover to the computer (documented in [Section 5.10](#))



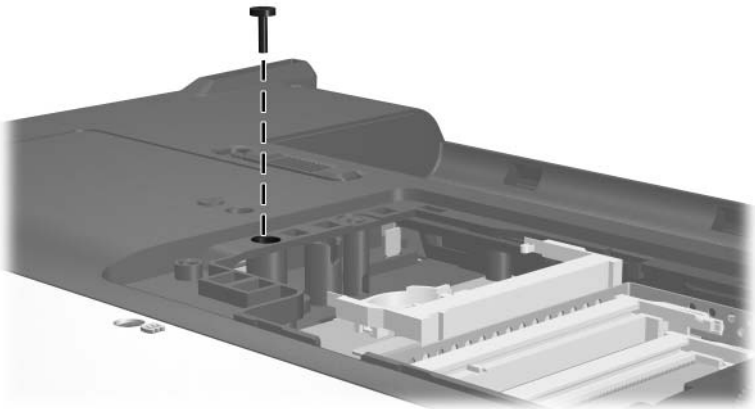
Phillips PM2.5×13.0 Screw Locations

Table A-5
Phillips PM2.5×13.0 Screw (Continued)

	Color	Qty.	Length	Thread	Head Width
mm	Black	15	13.0 mm	2.5 mm	4.5 mm

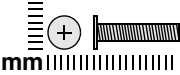
Where used:

One screw that secures the keyboard assembly to the computer (documented in [Section 5.11](#))



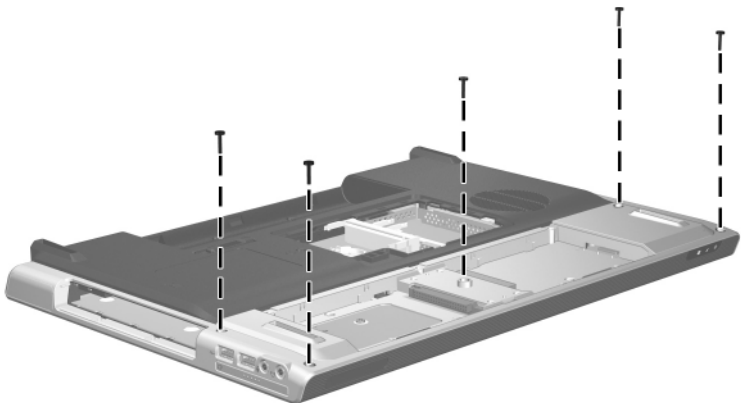
Phillips PM2.5×13.0 Screw Location

Table A-5
Phillips PM2.5×13.0 Screw (Continued)

	Color	Qty.	Length	Thread	Head Width
	Black	15	13.0 mm	2.5 mm	4.5 mm

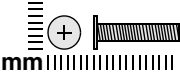
Where used:

5 screws that secure the top cover to the computer (documented in [Section 5.15](#))



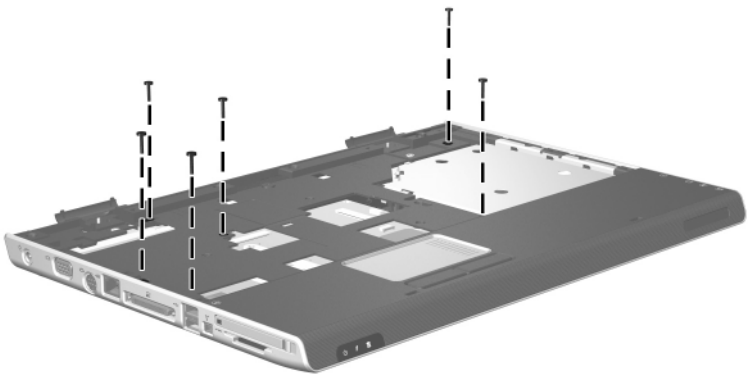
Phillips PM2.5×13.0 Screw Locations

Table A-5
Phillips PM2.5×13.0 Screw (Continued)

 mm	Color	Qty.	Length	Thread	Head Width
	Black	15	13.0 mm	2.5 mm	4.5 mm

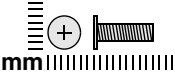
Where used:

6 screws that secure the top cover to the computer (documented in [Section 5.15](#))



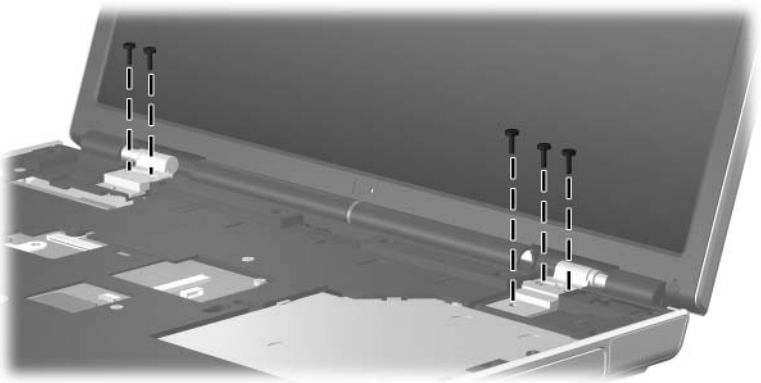
Phillips PM2.5×13.0 Screw Locations

Table A-6
Phillips PM2.5×9.0 Screw

 mm	Color	Qty.	Length	Thread	Head Width
	Black	6	9.0 mm	2.5 mm	4.5 mm

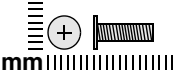
Where used:

5 screws that secure the display assembly to the computer (documented in [Section 5.14](#))



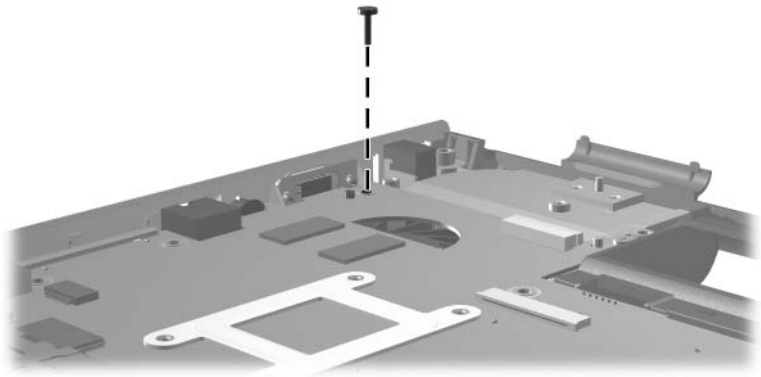
Phillips PM2.5×9.0 Screw Locations

Table A-6
Phillips PM2.5×9.0 Screw (Continued)

 mm	Color	Qty.	Length	Thread	Head Width
	Black	6	9.0 mm	2.5 mm	4.5 mm

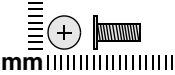
Where used:

One screw that secures the system board to the computer (documented in [Section 5.16](#))



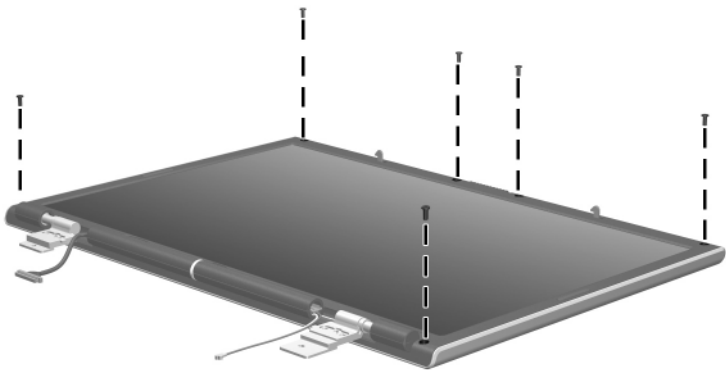
Phillips PM2.5×9.0 Screw Location

Table A-7
Phillips PM2.5×7.0 Screw

	Color	Qty.	Length	Thread	Head Width
	Black	10	7.0 mm	2.5 mm	4.5 mm

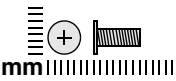
Where used:

6 screws that secure the display bezel to the display assembly (documented in [Section 5.14](#))



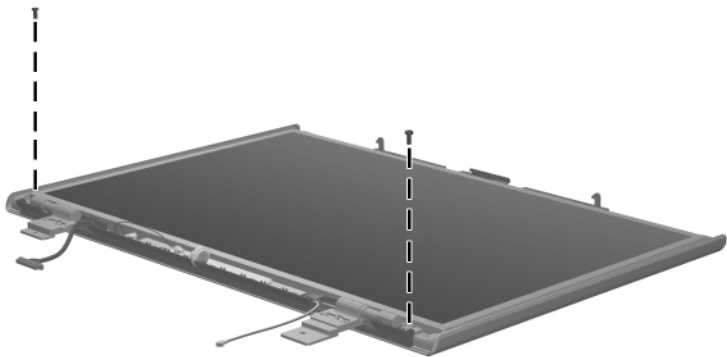
Phillips PM2.5×7.0 Screw Locations

Table A-7
Phillips PM2.5x7.0 Screw (Continued)

	Color	Qty.	Length	Thread	Head Width
	Black	10	7.0 mm	2.5 mm	4.5 mm

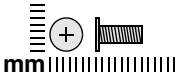
Where used:

2 screws that secure the display panel to the display enclosure (documented in [Section 5.14](#))



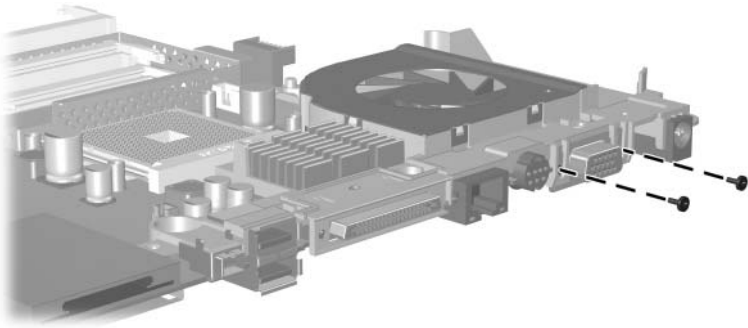
Phillips PM2.5x7.0 Screw Locations

Table A-7
Phillips PM2.5×7.0 Screw (Continued)

	Color	Qty.	Length	Thread	Head Width
	Black	10	7.0 mm	2.5 mm	4.5 mm

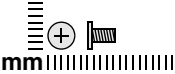
Where used:

2 screws that secure the fan assembly to the system board (documented in [Section 5.23](#))



Phillips PM2.5×7.0 Screw Locations

Table A-8
Phillips PM2.0×4.0 Screw

 mm	Color	Qty.	Length	Thread	Head Width
	Black	13	4.0 mm	2.0 mm	4.0 mm

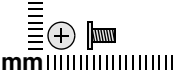
Where used:

8 screws that secure the display hinges to the display panel (documented in [Section 5.14](#))



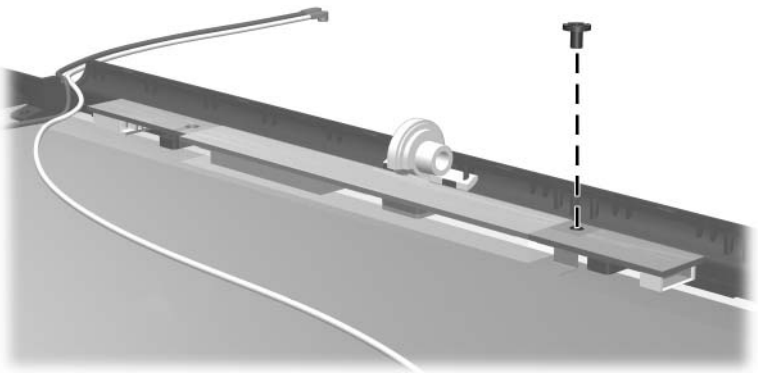
Phillips PM2.0×4.0 Screw Locations

Table A-8
Phillips PM2.0×4.0 Screw (Continued)

	Color	Qty.	Length	Thread	Head Width
	Black	13	4.0 mm	2.0 mm	4.0 mm

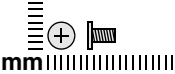
Where used:

One screw that secures the display inverter to the display enclosure (documented in [Section 5.14](#))



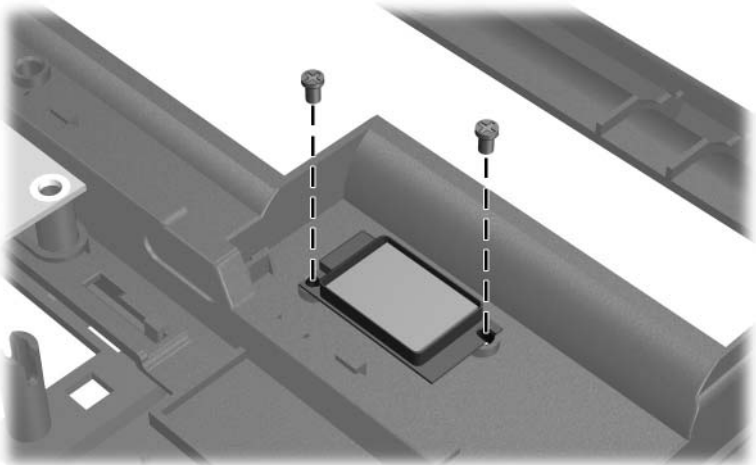
Phillips PM2.0×4.0 Screw Location

Table A-8
Phillips PM2.0x4.0 Screw (Continued)

	Color	Qty.	Length	Thread	Head Width
	Black	13	4.0 mm	2.0 mm	4.0 mm

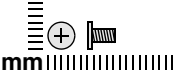
Where used:

2 screws that secure the Bluetooth module to the computer (documented in [Section 5.17](#))



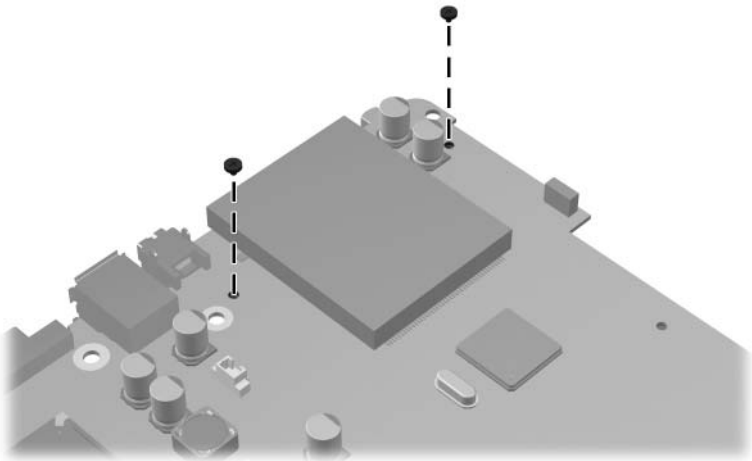
Phillips PM2.0x4.0 Screw Locations

Table A-8
Phillips PM2.0x4.0 Screw (Continued)

	Color	Qty.	Length	Thread	Head Width
	Black	13	4.0 mm	2.0 mm	4.0 mm

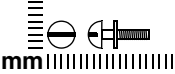
Where used:

2 screws that secure the PC Card assembly to the system board (documented in [Section 5.24](#))



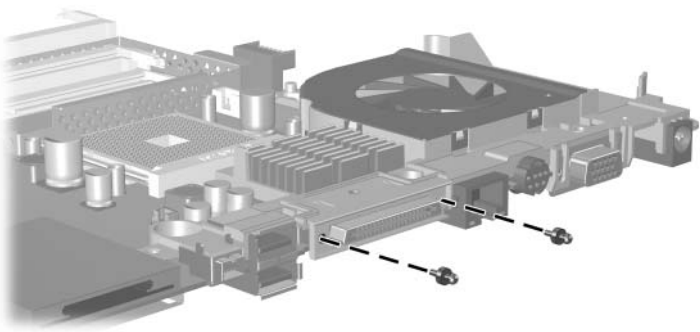
Phillips PM2.0x4.0 Screw Locations

Table A-9
Slotted M1.5×9.0 Screw

	Color	Qty.	Length	Thread	Head Width
	Silver	2	9.0 mm	1.5 mm	4.0 mm

Where used:

2 screws that secure the fan assembly to the system board (documented in [Section 5.23](#))



Slotted M1.5×9.0 Screw Locations

Software Update and Recovery

Updating Software

Updated versions of the software provided with your computer may be available on the HP Web site.

Most software and BIOS updates on the HP Web site are packaged in compressed files called *SoftPaqs*.

Some download packages contain a file named *Readme.txt*, which contains information regarding installing and troubleshooting the file.

To update the software:

1. Identify your computer model, product category, and series or family. Prepare for a system BIOS update by identifying the BIOS version currently installed on the computer.

If your computer is connected to a network, consult the network administrator before installing any software updates, especially system BIOS updates.



The computer system BIOS is stored on the system ROM. The BIOS initializes the operating system, determines how the computer will interact with the hardware devices, and provides for data transfer among hardware devices, including the time and date.

2. Access the updates by visiting the HP Web site at <http://www.hp.com>.
3. Install the updates.

Updating the BIOS

To determine whether available BIOS updates contain later BIOS versions than those currently installed on the computer, you need to know the version of the system BIOS currently installed.

BIOS version information (also known as *ROM date* and *System BIOS*) can be displayed by pressing **fn+esc** (if you are already in Microsoft® Windows®) or by opening the Setup Utility.

To use the Setup Utility for displaying BIOS information:

1. Open the Setup Utility by turning on or restarting the computer, and then pressing **f10** while the “Press <F10> to enter Setup” message is displayed in the lower-left corner of the screen.
2. If the Setup Utility does not open with the system information displayed, use the arrow keys to select the **Main** menu.

When the Main menu is selected, BIOS and other system information is displayed.

3. To exit the Setup Utility, use the arrow keys to select **Exit > Exit Discarding Changes**, and then press **enter**.



CAUTION: To prevent damage to the computer or an unsuccessful installation, download and install a BIOS update only when the computer is connected to reliable external power using the AC adapter. Do not download or install a BIOS update while the computer is running on battery power, docked in an optional docking device, or connected to an optional power source. During the download and installation, follow these instructions:

- Do not disconnect power from the computer by unplugging the power cord from the AC outlet.
 - Do not shut down the computer or initiate standby or hibernation.
 - Do not insert, remove, connect, or disconnect any device, cable, or cord.
-

To download a BIOS update:

1. Access the page on the HP Web site that provides software for your computer:
Select **Start > Help and Support**, and then select the software and drivers update.
2. Follow the instructions on the screen to identify your computer and access the BIOS update you want to download.
3. At the download area:
 - a. Identify the BIOS update that is later than the BIOS version currently installed on your computer. Make a note of the date, name, or other identifier. You may need this information to locate the update later, after it has been downloaded to your hard drive.
 - b. Follow the instructions on the screen to download your selection to the hard drive.

Make a note of the path to the location on your hard drive where the BIOS update will be downloaded. You will need to access this path when you are ready to install the update.



If you connect your computer to a network, consult the network administrator before installing any software updates, especially system BIOS updates.

BIOS installation procedures vary. Follow any instructions that are displayed on the screen after the download is complete. If no instructions are displayed, follow these steps:

1. Open Windows Explorer by selecting **Start > All Programs > Accessories > Windows Explorer**.
2. In the left pane of the Windows Explorer window:
 - a. Click **My Computer** and then your hard drive designation. The hard drive designation is typically Local Disk (C:).
 - b. Using the hard drive path you recorded earlier, open the folder on your hard drive that contains the update.

3. Double-click the file that has an .exe extension (for example, *filename.exe*).

The BIOS installation begins.

4. Complete the installation by following the instructions on the screen.



After a message on the screen reports a successful installation, you can delete the downloaded file from your hard drive.

Updating Software Programs and Drivers

To download and install software other than a BIOS update:

1. Access the page on the HP Web site that provides software for your computer:

Select **Start > Help and Support**, and then select the software and drivers update.

2. Follow the instructions on the screen to find the software you want to update.
3. At the download area, select the software you want to download and follow the instructions on the screen.



Make a note of the path to the location on your hard drive where the software will be downloaded. You will need to access this path when you are ready to install the software.

4. When the download is complete, open Windows Explorer by selecting **Start > All Programs > Accessories > Windows Explorer**.
5. In the left pane of the Windows Explorer window:
 - a. Click **My Computer** and then your hard drive designation. The hard drive designation is typically Local Disk (C:).
 - b. Using the hard drive path you recorded earlier, open the folder on your hard drive that contains the update.

6. Double-click the file that has an .exe extension (for example, *filename.exe*).

The installation begins.

7. Complete the installation by following the instructions on the screen.



After a message on the screen reports a successful installation, you can delete the download package from your hard drive.

Recovering System Information

Tools provided by the operating system and PC Recovery software are designed to help you with the following tasks for safeguarding your information and restoring it in case of a system failure:

- Back up your information regularly to protect your important system files.
- Make a set of recovery discs (PC Recovery software feature). Recovery discs are used to start up (boot) your computer and restore the operating system and software programs to factory settings in case of system failure or instability.
- Create system restore points (operating system feature). System restore points allow you to reverse undesirable changes to your computer by restoring the computer to an earlier state.
- Recover a program or driver (PC Recovery software feature). This feature helps you reinstall a program or driver without performing a full system recovery.
- Perform a full system recovery (PC Recovery software feature). With PC Recovery, you can recover your full factory image if you experience system failure or instability. PC Recovery works from a dedicated recovery partition on the hard drive or from recovery discs you create.

Backing Up Your Information

When to Back Up

- On a regularly scheduled basis.



Set reminders to back up your information periodically.

- Before the computer is repaired or restored.
- Before you add or modify hardware or software.

Backup Suggestions

- Create system restore points using Windows XP Professional System Restore feature.
- Store personal files in the My Documents folder and back up these folders periodically.
- Back up templates stored in their associated programs.
- Save customized settings in a window, toolbar, or menu bar by taking a screen shot of your settings.

The screen shot can be a time saver if you have to reset your preferences.

To copy the screen and paste it into a Word document:

- a. Display the screen.
- b. Copy the screen:

To copy only the active window, press **alt+fn+prt sc**.

To copy the entire screen, press **fn+prt sc**.

- c. To paste the copied images into a document, open Word, and then select **Edit > Paste**.

Using System Restore Points

When you back up your system, you are creating a system restore point. A system restore point allows you to save and name a snapshot of your hard drive at a specific point in time. You can then recover back to that point if you want to reverse subsequent changes made to your system.



Recovering to an earlier restore point does not affect data files saved or e-mails created since the last restore point.

You also can create additional restore points to provide increased protection for your system files and settings.

When to Create Restore Points

- Before you add or extensively modify software or hardware.
- Periodically, whenever the system is performing optimally.



If you revert to a restore point and then change your mind, you can reverse the restoration.

Create a System Restore Point

1. Select **Start > Help and Support**, and then click **System Restore**.
The System Restore window opens.
2. Click **Create a restore point**, and then click **Next**.
3. Follow the on-screen instructions.

Restore to a Previous Date and Time

To revert to a restore point (created at a previous date and time), when the computer was functioning optimally:

1. Select **Start > Help and Support**, and then click **System Restore**.

The System Restore window opens.

2. Click **Restore my computer to an earlier time**, and then click **Next**.
3. Follow the on-screen instructions.

Creating Recovery Discs

PC Recovery Disc Creator creates a set of recovery CDs or DVDs for the computer. Use recovery discs to restore the operating system and software programs to factory settings, in case of system failure or instability.



Handle these discs carefully and keep them in a safe place. The software allows the creation of only one set of recovery discs.

Note the following guidelines before creating recovery discs:

- You will need high quality CD-R, DVD-R, or DVD+R media (purchased separately).
-



DVD±RW/R and double-layer DVD±RW are not compatible with the PC Recovery Disc Creator software.

- The computer must be connected to AC power during this process.
- Only one set of recovery discs can be created per computer.

- Number each disc before inserting it into the computer optical drive.
- If necessary, you can exit the program before you have finished creating the recovery discs. The next time you open PC Recovery Disc Creator, you will be prompted to continue the disc creation process.

To create a set of recovery discs:

1. Select **Start > All Programs > System Recovery > PC Recovery Disc Creator**.

The PC Recovery Disc Creator tool opens.

2. Click **Next**.



If you are operating the computer on battery power, you will be prompted to connect to AC power before you can go to the next step.

3. Select the type of disc you want to use and click **Next**.
-



The software examines the image and displays the number of blank discs needed to create your recovery discs.

4. Insert the first disc and follow the on-screen instructions to complete the creation of the recovery discs.

Reinstalling Software Programs and Drivers

If a program or driver preinstalled at the factory is accidentally erased or is damaged, the Application and Driver Recovery tool allows you to reinstall it.



Software not provided with this computer must be reinstalled from the disc provided by the manufacturer or downloaded from the manufacturer's Web site.



Before reinstalling the program, be sure it is fully uninstalled.

The Application and Driver Recovery tool replaces corrupted system files and reinstalls deleted system files within the program.

- In most cases, if the program you are reinstalling is still on your computer, the reinstallation process does not affect your personal settings.
- In all cases, if a program has been deleted from your computer, the reinstallation process reinstalls the program or utility to the factory image but cannot restore your personal settings.

Reinstalling Preinstalled Programs and Drivers

1. Remove the program or driver:
-



In some cases, drivers are not listed in the Add or Remove Programs list. If the driver is not listed, it does not need to be removed.

- a. Select **Start > Control Panel > Add or Remove Programs**.
- b. Click the program or driver you want to remove, and then click **Change/Remove**.

2. Select **Start > All Programs > System Recovery > Application and Driver Recovery**.

The Application and Driver Recovery tool opens.

3. Select **Application Installation or Driver Installation**, and then click **Next**.
4. Follow the on-screen instructions to complete the program or driver recovery.
5. Restart the computer if prompted.

Reinstalling Programs from Discs

1. Insert the disc into the optical drive.
2. When the installation wizard opens, follow the installation instructions on the screen.
3. Restart the computer if prompted.

Performing a Recovery

PC Recovery software allows you to repair or restore the system if you experience system failure or instability. PC Recovery works from recovery discs that you create or from a dedicated recovery partition on the hard drive.



Microsoft Windows XP has its own built-in repair features, such as System Restore and driver roll-back capabilities. If you have not already tried these features, try them before using PC Recovery.



PC Recovery only recovers software that was preinstalled at the factory. Software not provided with this computer must be reinstalled from the disc provided by the manufacturer or downloaded from the manufacturer's Web site.

Recovering from the Recovery Discs

To restore the system from the recovery discs:

1. Back up all personal files.
2. Insert the first recovery disc into the optical drive and restart the computer.
3. Follow the on-screen instructions.

Recovering from the Partition on the Hard Drive

You can perform a recovery from the partition on the hard drive from either the Start button or **f11**.

To restore the system from the partition:

1. Access the PC Recovery tool:
 - ❑ To access PC Recovery from the Start button, select **Start > All Programs > System Recovery > PC Recovery**.
 - ❑ To access PC Recovery from **f11**, restart the computer and press **f11** while the “Press <F11> for recovery” message is displayed on the screen.

The PC Recovery tool opens.

2. Select **PC Recovery** and click **Next**.

The computer restarts and the PC Recovery tool opens.

3. Click **OK**.
4. Follow the on-screen instructions to complete the system recovery.

If you want to perform a *destructive* recovery:



A destructive recovery formats the hard drive and restores the computer to its factory state. Select this option only as a last resort.

- a. Click **Advanced Options** on the System Recovery screen.
- b. Select **Destructive Recovery** and follow the on-screen instructions.

Deleting the Recovery Partition on the Hard Drive

The PC Recovery Advanced Options menu provides the option of deleting the recovery partition, which will increase space on the hard drive. Delete the recovery partition only if you have already created recovery discs.



CAUTION: After you create the recovery discs, you can increase space on the hard drive by deleting the recovery partition. However, doing this is not recommended. If you delete this partition, you will lose any information that is on the partition, including the PC Recovery software. Thereafter, you must use the recovery discs to access PC Recovery software.

To delete the recovery partition:

1. If you have not already created recovery discs, create them now.
2. Select **Start > All Programs > System Recovery > PC Recovery**.
The PC Recovery tool opens.
3. Select **PC Recovery** and click **Next**.
The computer restarts and the PC Recovery tools opens.
4. Click **OK**.
5. At the System Recovery screen, click **Advanced Options**.
6. Select **Delete Recovery Partition (not recommended)** and follow the on-screen instructions.

Updating Reinstalled Software

After you perform a system recovery, connect to the Internet to update all reinstalled software.

To access update links for the operating system and other software provided on your computer:

» Select **Start > Help and Support**.

To update optional software, follow the instructions provided by the software manufacturer. Some programs include an update feature you can access from a Help button or menu within the program.

Display Component Recycling



WARNING: The backlight contains mercury. Caution should be exercised when removing and handling the backlight to avoid damaging this component and causing exposure to the mercury.



CAUTION: The procedures in this appendix can result in damage to display components. The only components intended for recycling purposes are the liquid crystal display (LCD) panel and the backlight. Careful handling should be exercised when removing these components.



Materials Disposal

This HP product contains mercury in the display assembly backlight and may require special handling at end-of-life.

Disposal of mercury may be regulated because of environmental considerations. For disposal or recycling information, contact your local authorities or visit the Electronic Industries Alliance (EIA) at <http://www.eiae.org>.

This appendix provides disassembly instructions for the display assembly. The display assembly must be disassembled to gain access to the backlight ❶ and the LCD panel ❷.

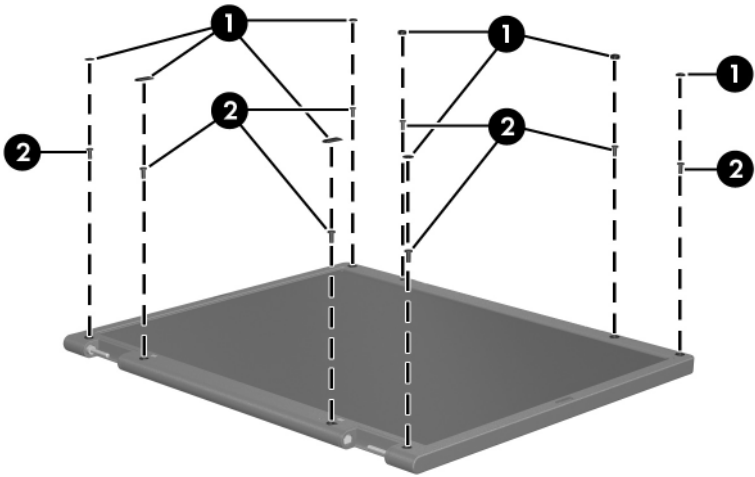


Disassembly procedures differ from one display assembly to another. The procedures provided in this appendix are general disassembly instructions. Specific details, such as screw sizes, quantities, and locations, and component shapes and sizes, can vary from one computer model to another.

Refer to [Section 5.14, “Display Assembly,”](#) for display assembly disassembly steps.

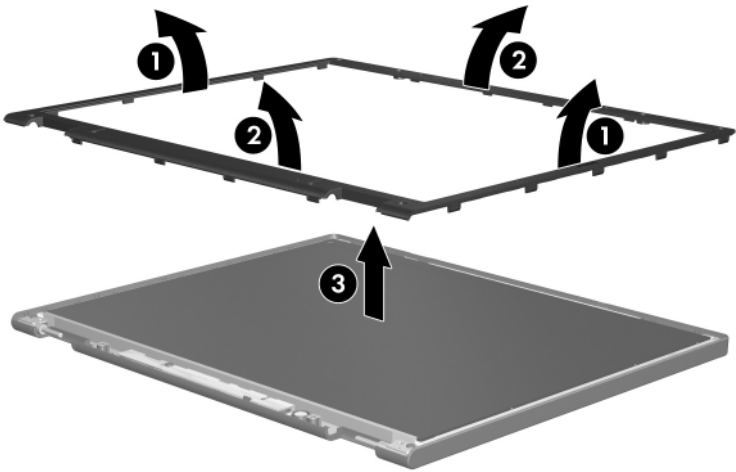
Perform the following steps to disassemble the display assembly:

1. Remove all screw covers **1** and screws **2** that secure the display bezel to the display assembly.



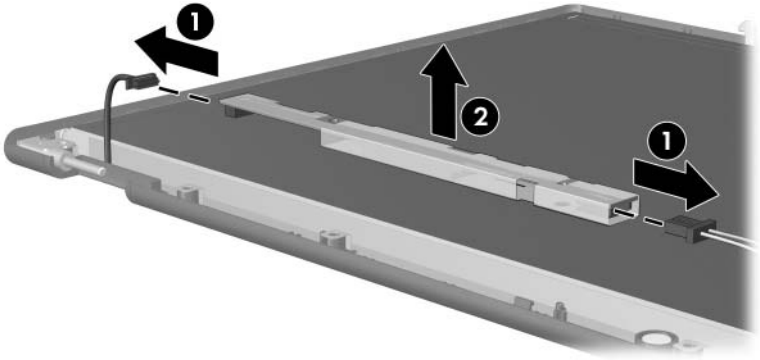
Removing the Display Bezel Screw Covers and Screws

-
2. Lift up and out on the left and right inside edges ❶ and the top and bottom inside edges ❷ of the display bezel until the bezel disengages from the display assembly.
3. Remove the display bezel ❸.



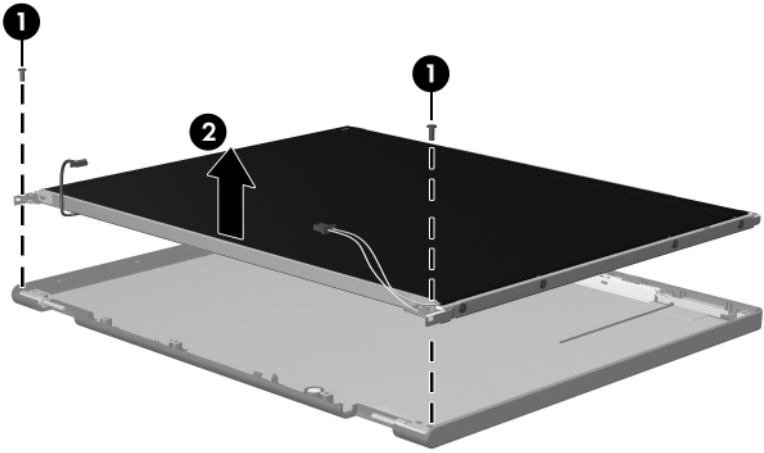
Removing the Display Bezel

4. Disconnect all LCD panel cables ❶ from the display inverter and remove the inverter ❷.



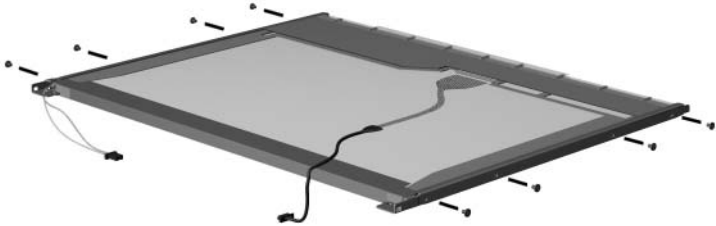
Removing the Display Inverter

5. Remove all screws ❶ that secure the LCD panel to the display enclosure.
6. Remove the LCD panel ❷ from the display enclosure.



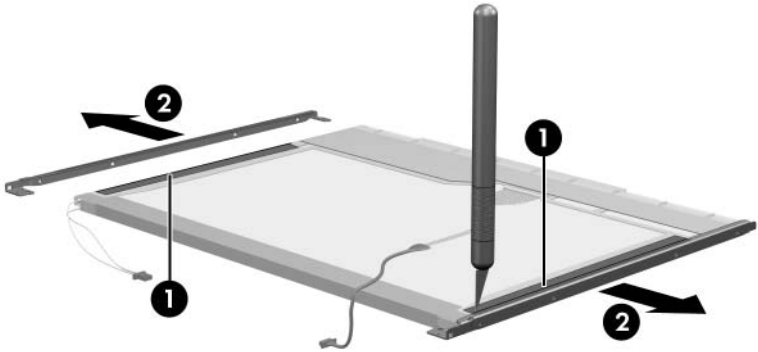
Removing the LCD Panel

7. Turn the LCD panel upside down.
8. Remove all screws that secure the LCD panel frame to the LCD panel.



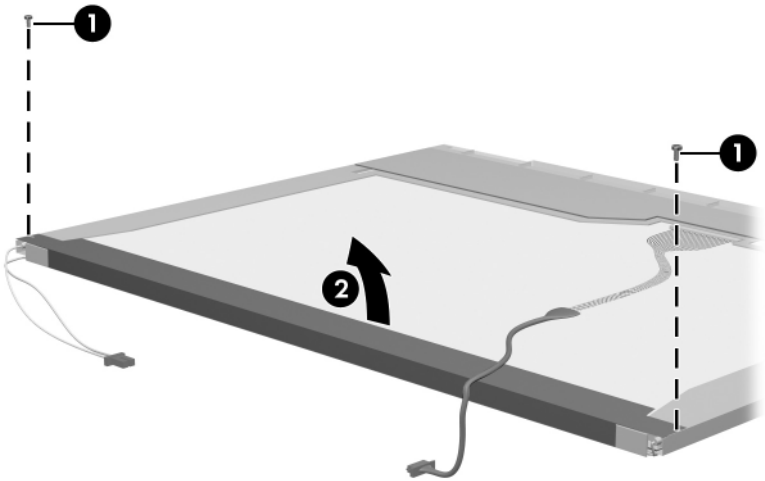
Removing the LCD Panel Frame Screws

9. Use a sharp-edged tool to cut the tape ❶ that secures the side of the LCD panel to the LCD panel frame.
10. Remove the LCD panel frame ❷ from the display panel.



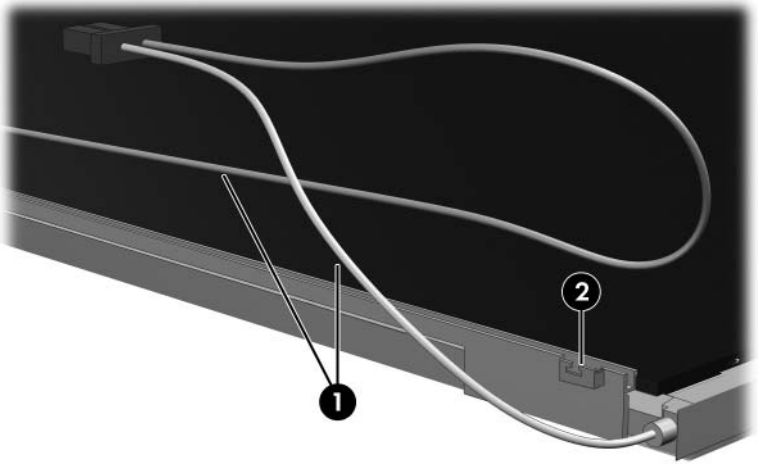
Removing the LCD Panel Frame

11. Remove the screws ❶ that secure the backlight cover to the LCD panel.
12. Lift the top edge of the backlight cover ❷ and swing it forward.
13. Remove the backlight cover.



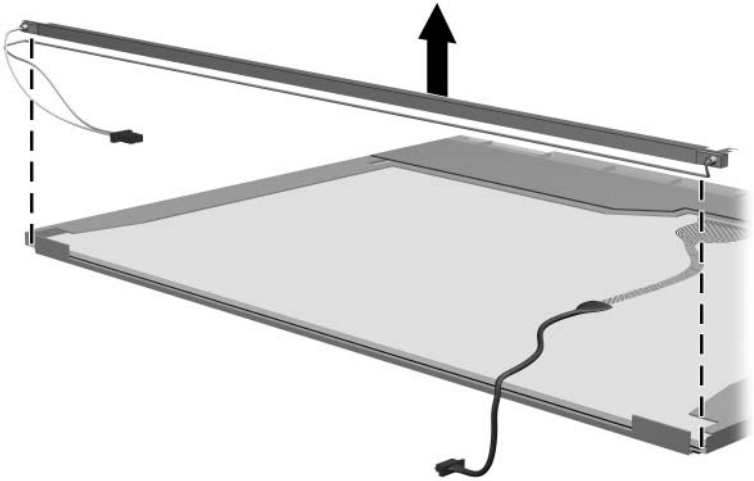
Removing the Backlight Cover

14. Turn the LCD panel right-side up.
15. Remove the backlight cables **1** from the clip **2** in the LCD panel.



Releasing the Backlight Cables

16. Turn the LCD panel upside down.
17. Remove the backlight frame from the LCD panel.

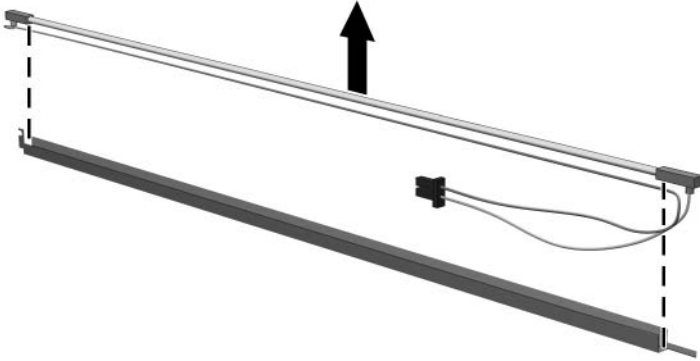


Removing the Backlight Frame



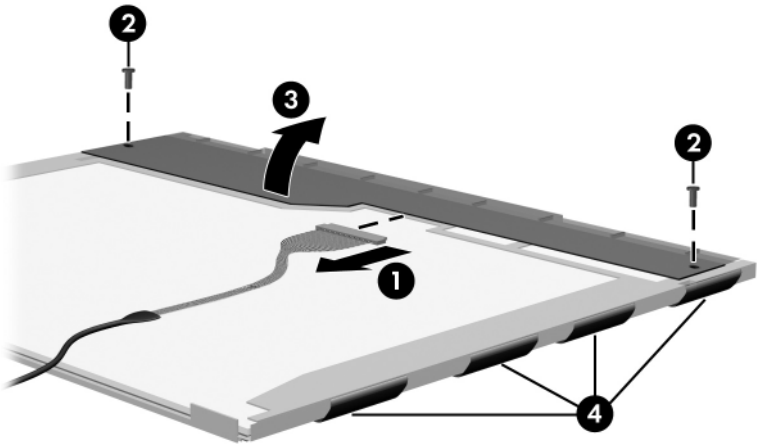
WARNING: The backlight contains mercury. Caution should be exercised when removing and handling the backlight to avoid damaging this component and causing exposure to the mercury.

18. Slide the backlight out of the backlight frame.



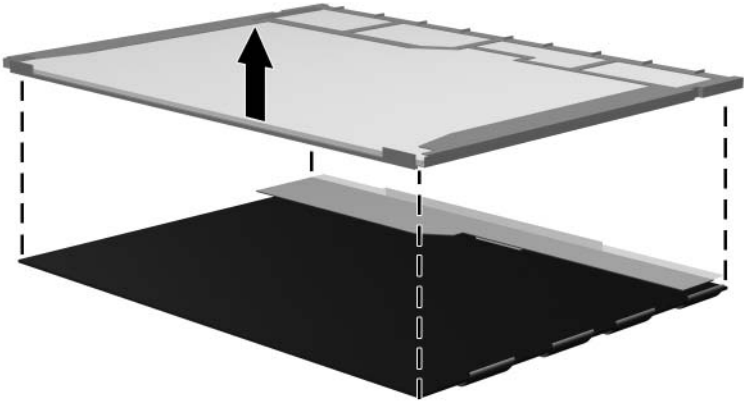
Removing the Backlight

19. Disconnect the display cable ❶ from the LCD panel.
20. Remove the screws ❷ that secure the LCD panel to the LCD rear panel.
21. Release the LCD panel ❸ from the LCD rear panel.
22. Release the tape ❹ that secures the LCD panel to the LCD rear panel.



Releasing the LCD Panel

23. Remove the LCD panel.



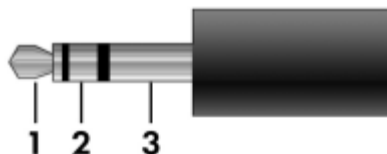
Removing the LCD Panel

24. Recycle the backlight and LCD panel.

D

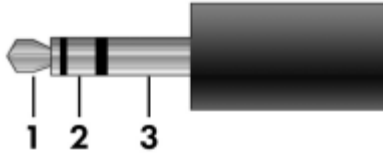
Connector Pin Assignments

Table D-1
Audio-Out (Headphone)



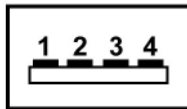
Pin	Signal	Pin	Signal
1	Audio out, left channel	3	Ground
2	Audio out, right channel		

Table D-2
Audio-In (Microphone)



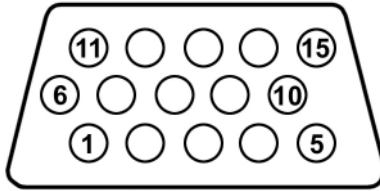
Pin	Signal	Pin	Signal
1	Audio signal in	3	Ground
2	Audio signal in		

Table D-3
Universal Serial Bus



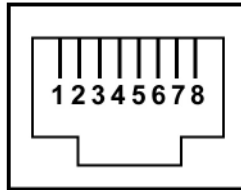
Pin	Signal	Pin	Signal
1	+5 VDC	3	Data +
2	Data -	4	Ground

Table D-4
External Monitor



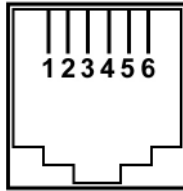
Pin	Signal	Pin	Signal
1	Red analog	9	+5 VDC
2	Green analog	10	Ground
3	Blue analog	11	Monitor detect
4	Not connected	12	DDC 2B data
5	Ground	13	Horizontal sync
6	Ground analog	14	Vertical sync
7	Ground analog	15	DDC 2B clock
8	Ground analog		

Table D-5
RJ-45 (Network)



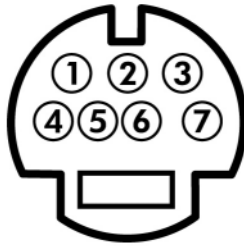
Pin	Signal	Pin	Signal
1	Transmit +	5	Unused
2	Transmit –	6	Receive –
3	Receive +	7	Unused
4	Unused	8	Unused

Table D-6
RJ-11 (Modem)



Pin	Signal	Pin	Signal
1	Unused	4	Unused
2	Tip	5	Unused
3	Ring	6	Unused

Table D-7
S-Video-Out



Pin	Signal	Pin	Signal
1	S-VHS color (C) signal	5	TV-CD
2	Composite video signal	6	S-VHS intensity ground
3	S-VHS intensity (Y) signal	7	Composite video ground
4	S-VHS color ground		

Power Cord Set Requirements

3-Conductor Power Cord Set

The wide range input feature of the computer permits it to operate from any line voltage from 100 to 120 or 220 to 240 volts AC.

The power cord set included with the computer meets the requirements for use in the country where the equipment is purchased.

Power cord sets for use in other countries must meet the requirements of the country where the computer is used.

General Requirements

The requirements listed below are applicable to all countries.

- The length of the power cord set must be at least 1.5 m (5.0 ft) and a maximum of 2.0 m (6.5 ft).
- All power cord sets must be approved by an acceptable accredited agency responsible for evaluation in the country where the power cord set will be used.
- The power cord sets must have a minimum current capacity of 10 amps and a nominal voltage rating of 125 or 250 V AC, as required by each country's power system.
- The appliance coupler must meet the mechanical configuration of an EN 60 320/IEC 320 Standard Sheet C13 connector for mating with the appliance inlet on the back of the computer.

Country-Specific Requirements

3-Conductor Power Cord Set Requirements

Country/Region	Accredited Agency	Applicable Note Number
Australia	EANSW	1
Austria	OVE	1
Belgium	CEBC	1
Canada	CSA	2
Denmark	DEMKO	1
Finland	FIMKO	1
France	UTE	1
Germany	VDE	1
Italy	IMQ	1
Japan	METI	3



NOTES:

1. The flexible cord must be <HAR> Type HO5VV-F, 3-conductor, 1.0 mm² conductor size. Power cord set fittings (appliance coupler and wall plug) must bear the certification mark of the agency responsible for evaluation in the country where it will be used.
2. The flexible cord must be Type SPT-3 or equivalent, No. 18 AWG, 3-conductor. The wall plug must be a two-pole grounding type with a NEMA 5-15P (15 A, 125 V) or NEMA 6-15P (15 A, 250 V) configuration.
3. The appliance coupler, flexible cord, and wall plug must bear a "T" mark and registration number in accordance with the Japanese Dentori Law. The flexible cord must be Type VCT or VCTF, 3-conductor, 1.00 mm² conductor size. The wall plug must be a two-pole grounding type with a Japanese Industrial Standard C8303 (7 A, 125 V) configuration.

3-Conductor Power Cord Set Requirements (*Continued*)

Country/Region	Accredited Agency	Applicable Note Number
Korea	EK	4
The Netherlands	KEMA	1
Norway	NEMKO	1
People's Republic of China	CCC	5
Sweden	SEMKO	1
Switzerland	SEV	1
Taiwan	BSMI	4
United Kingdom	BSI	1
United States	UL	2



NOTES:

1. The flexible cord must be <HAR> Type HO5VV-F, 3-conductor, 1.0 mm² conductor size. Power cord set fittings (appliance coupler and wall plug) must bear the certification mark of the agency responsible for evaluation in the country where it will be used.
 2. The flexible cord must be Type SPT-3 or equivalent, No. 18 AWG, 3-conductor. The wall plug must be a two-pole grounding type with a NEMA 5-15P (15 A, 125 V) or NEMA 6-15P (15 A, 250 V) configuration.
 3. The appliance coupler, flexible cord, and wall plug must bear a “T” mark and registration number in accordance with the Japanese Dentori Law. The flexible cord must be Type VCT or VCTF, 3-conductor, 1.00 mm² conductor size. The wall plug must be a two-pole grounding type with a Japanese Industrial Standard C8303 (7 A, 125 V) configuration.
 4. The flexible cord must be Type RVV, 3-conductor, 0.75 mm² conductor size. Power cord set fittings (appliance coupler and wall plug) must bear the certification mark of the agency responsible for evaluation in the country where it will be used.
 5. The flexible cord must be Type VCTF, 3-conductor, 0.75 mm² conductor size. Power cord set fittings (appliance coupler and wall plug) must bear the certification mark of the agency responsible for evaluation in the country where it will be used.
-

Index

1394 port 1–11

A

- all-in-one media cable, spare part number 3–18, 3–20
- analog TV tuner, spare part number 3–18, 3–23
- arrow keys 1–15
- audio troubleshooting 2–21
- audio Y-cable 2, spare part number 3–18, 3–20
- audio-in jack
 - location 1–9
 - pin assignments D–2
- audio-out jack
 - location 1–9
 - pin assignments D–1

B

- base enclosure, spare part number 3–9, 3–22
- battery
 - removal 5–6
 - spare part number 3–11, 3–21, 5–6
 - specifications 6–7
- battery bay 1–13, 1–22
- battery light 1–7
- battery release latch 1–22

Bluetooth module

- removal 5–57
- spare part number 3–9, 3–20, 5–57

Bluetooth module cable

- illustrated 3–15
- removal 5–59

bottom components 1–22

Bracket Kit

- contents 3–5
- spare part number 3–5, 3–22

C

Cable Kit

- components 3–15
- spare part number 3–15, 3–22

cables, service considerations 4–2

caps lock key 1–15

CMOS clearing 1–4

components

- bottom 1–22
- front 1–6
- keyboard 1–14
- left-side 1–10, 1–12
- right-side 1–8
- top 1–16, 1–18, 1–21

- composite S-Video and audio cable, spare part number 3-18, 3-23
- computer feet
 - illustrated 3-14
 - locations 5-11
- Computer Setup
 - Advanced Menu 2-5
 - Diagnostics Menu 2-4
 - File Menu 2-2
 - overview 2-1
 - Security Menu 2-3
- computer specifications 6-1
- connector pin assignments
 - audio-in D-2
 - audio-out D-1
 - external monitor D-3
 - RJ-11 D-5
 - RJ-45 D-4
 - S-Video-out D-6
 - Universal Serial Bus (USB) D-2
- connectors, service considerations 4-2
- D**
- design overview 1-24
- Digital Media Slot 1-11
- Digital Media Slot light 1-11
- disassembly sequence chart 5-3
- diskette drive
 - OS loading problems 2-19
 - precautions 4-3
- display assembly
 - removal 5-31
 - spare part numbers 3-3, 3-21, 5-31
 - specifications 6-3, 6-4
- Display Cable Kit, spare part numbers 3-13, 3-24, 5-35
- Display Hinge Kit
 - components 3-12, 5-35, 5-40
 - spare part numbers 3-12, 3-23, 3-24, 5-35, 5-40
- display hinge support bracket
 - illustrated 3-5
 - removal 5-52
- display inverter board
 - removal 5-41
 - spare part numbers 3-13, 3-23, 3-24, 5-35, 5-41
- Display Label Kit, spare part number 3-13, 3-23, 5-35
- Display Panel Kit, spare part numbers 3-13, 3-25, 5-35, 5-39
- Display Plastics Kit
 - components 3-12, 5-35
 - spare part numbers 3-12, 3-23, 3-24, 5-35
- display release latch 1-7
- Display Screw Kit, spare part number 3-13, 3-23, 5-35
- display switch 1-16
- drive light 1-7
- drives, preventing damage 4-3
- DVB-T TV tuner antenna
 - adapter, spare part number 3-18, 3-24

- DVB-T TV tuner antenna,
 - spare part number 3-18, 3-24
- DVB-T TV tuner, spare part number 3-18, 3-24
- DVD/CD-RW Combo Drive
 - precautions 4-3
 - removal 5-19
 - spare part numbers 3-5, 3-17, 3-21, 3-25, 5-19
 - specifications 6-8
- DVD±RW and CD-RW Combo Drive
 - precautions 4-3
 - removal 5-19
 - spare part numbers 3-17, 5-19
 - specifications 6-9
- DVD±RW and CD-RW Double-Layer Combo Drive
 - precautions 4-3
 - removal 5-19
 - spare part numbers 3-5, 3-7, 3-17, 3-21, 3-25, 3-26, 5-19
 - specifications 6-9, 6-10
- E**
 - electrostatic discharge 4-4, 4-8
 - expansion port 2 1-11
 - expansion port 2 bracket, removal 5-74
 - expansion product
 - troubleshooting 2-14
- ExpressCard assembly
 - removal 5-53
 - spare part number 3-7, 3-22
- ExpressCard slot 1-9
- ExpressCard slot bezel
 - illustrated 3-14
 - removal 5-51
- external monitor port
 - location 1-10
 - pin assignments D-3
- F**
 - f1** to **f12** keys 1-15
 - fan assembly
 - removal 5-72
 - spare part number 3-7, 3-22, 5-72
 - features 1-2
 - feet
 - illustrated 3-14
 - locations 5-11
 - flowcharts, troubleshooting
 - no audio 2-21, 2-22
 - no network/modem connection 2-26
 - no OS loading 2-15
 - no OS loading from diskette drive 2-19
 - no OS loading from hard drive 2-16, 2-17, 2-18
 - no OS loading from optical drive 2-20
 - no power 2-8, 2-10, 2-11
 - no video 2-12, 2-13
 - nonfunctioning device 2-23

- nonfunctioning docking device 2–14
- nonfunctioning keyboard 2–24
- nonfunctioning pointing device 2–25
- fn** key 1–15
- front components 1–6
- G**
- grounding equipment and methods 4–7
- H**
- hard drive
 - OS loading problems 2–16
 - precautions 4–3
 - removal 5–7
 - spare part numbers 3–9, 3–16, 3–21, 3–23, 3–25, 5–7
 - specifications 6–5
- hard drive bay 1–23
- hard drive cover
 - illustrated 3–14
 - removal 5–8
 - spare part number 3–9, 3–25, 5–7
- headphone jack, pin
 - assignments D–1
- headset, spare part number 3–19, 3–20
- heat sink
 - removal 5–67
 - spare part number 3–7, 3–22, 5–67

- I**
- I/O address specifications 6–15
- infrared blaster cable, spare part number 3–18, 3–24
- infrared USB receiver, spare part number 3–18, 3–24
- interrupt specifications 6–13
- K**
- keyboard
 - removal 5–29
 - spare part numbers 3–3, 3–21, 3–22, 5–29
 - troubleshooting 2–24
- keyboard assembly frame
 - removal 5–23
 - spare part number 3–3, 3–22, 5–23
- keyboard components 1–14
- keypad keys 1–15
- L**
- LED board
 - removal 5–27
 - spare part numbers 3–3, 3–23, 3–25, 5–27
- left-side components 1–10, 1–12
- M**
- mass storage devices, spare part numbers 3–16
- media cable, spare part number 3–18, 3–20
- memory map specifications 6–18

memory module
removal 5–11
spare part numbers 3–11,
3–21, 3–23, 5–11

memory shield, release 5–13

memory/Mini PCI module
compartment cover
illustrated 3–14
location 1–23
removal 5–12

microphone jack, pin
assignments D–2

Mini PCI communications
module
removal 5–15
spare part numbers 3–11,
3–20, 3–21

modem connector cable
illustrated 3–15
removal 5–60

modem jack
location 1–13
pin assignments D–5

modem module
troubleshooting 2–26

N

network jack
location 1–10
pin assignments D–4

network, troubleshooting 2–26

nonfunctioning device,
troubleshooting 2–14, 2–23

num lock key 1–15

O

optical drive
location 1–9, 1–22
OS loading problems 2–20
precautions 4–3
removal 5–19
spare part numbers 3–5,
3–7, 3–17, 5–19
specifications 6–8

optical drive connector board
removal 5–56
spare part numbers 3–7,
3–22, 3–24

P

packing precautions 4–5

Pad Kit, spare part number
3–13, 3–22, 5–35

password clearing 1–4

PC Card assembly
removal 5–76
spare part number 3–9,
3–23, 5–76

PC Card eject button 1–11

PC Card slot 1–11

PC Card slot bezel, illustrated
3–14

plastic parts 4–2

Plastics Kit
components 3–9, 3–14
spare part number 3–9,
3–14, 3–22

pointing device,
troubleshooting 2–25

power button 1–17

- power connector
 - locations 1–10
 - spare part numbers 3–18, 3–24
- power connector cable
 - illustrated 3–15
 - removal 5–75
- power cord
 - set requirements E–2
 - spare part numbers 3–18, 3–22
- power light 1–7, 1–17
- power management features 1–5
- power supply, spare part numbers 3–19, 3–22, 3–24
- power, troubleshooting 2–8
- precautions
 - DVD/CD-RW Combo Drive 4–3
 - DVD±RW and CD-RW Double-Layer Combo Drive 4–3
 - hard drive 4–3
 - optical drive 4–3
- processor
 - removal 5–70
 - spare part numbers 3–7, 3–20, 3–24, 3–26, 5–70

Q

- Quick Launch calculator
 - button 1–20

R

- remote control, spare part number 3–18, 3–20
- remote TV tuner, spare part number 3–19
- removal/replacement
 - preliminaries 4–1
 - procedures 5–1
- RF cable, spare part number 3–19, 3–24
- RF input adapter cable, spare part number 3–19, 3–23
- right-side components 1–8
- RJ-11 jack
 - location 1–13
 - pin assignments D–5
- RJ-45 jack
 - location 1–10
 - pin assignments D–4
- RTC battery
 - removal 5–17
 - spare part number 3–9, 3–22, 5–17

S

- Screw Kit
 - contents A–1
 - spare part numbers 3–13, 3–19, 3–22, 3–23, 5–35, A–1
 - screw listing A–1
- SD memory card, spare part numbers 3–11, 3–20, 3–23
- security cable slot 1–13

- serial number 3–1, 5–2
 - service considerations 4–2
 - speakers
 - location 1–7
 - removal 5–64
 - spare part number 3–5, 3–22, 5–64
 - specifications
 - battery 6–7
 - computer 6–1
 - display assembly 6–3, 6–4
 - DVD/CD-RW Combo Drive 6–8
 - DVD±RW and CD-RW Combo Drive 6–9
 - DVD±RW and CD-RW Double-Layer Combo Drive 6–9, 6–10
 - hard drive 6–5
 - I/O addresses 6–15
 - interrupts 6–13
 - memory map 6–18
 - optical drive 6–8
 - system DMA 6–12
 - static shielding materials 4–8
 - S-Video-out jack
 - location 1–10
 - pin assignments D–6
 - switch cover
 - removal 5–21
 - spare part number 3–3, 3–22, 5–21
 - system board
 - removal 5–50
 - spare part number 5–50
 - spare part numbers 3–5, 3–20, 3–24
 - system DMA 6–12
 - system memory map 6–18
- T**
- tools required 4–1
 - top components 1–16, 1–18, 1–21
 - top cover
 - removal 5–43
 - spare part number 3–5, 3–22, 5–43
 - TouchPad cable
 - disconnection 5–44
 - illustrated 3–15
 - transporting precautions 4–5
 - troubleshooting
 - audio 2–21
 - Computer Setup 2–1
 - expansion product 2–14
 - flowcharts 2–6
 - keyboard 2–24
 - modem 2–26
 - network 2–26
 - nonfunctioning device 2–14, 2–23
 - OS loading 2–15
 - overview 2–1
 - pointing device 2–25
 - power 2–8
 - video 2–12
 - TV tuner remote control, spare part number 3–19, 3–23

U

Universal Serial Bus (USB)

port

location 1-9, 1-11

pin assignments D-2

unknown password 1-4

USB board

removal 5-62

spare part numbers 3-7,
3-23, 3-25, 5-62

USB board cable

illustrated 3-15

removal 5-63

USB digital drive, spare part

number 3-17, 3-19, 3-20

USB travel mouse, spare part

number 3-19, 3-20

V

vent, locations 1-13, 1-23

video troubleshooting 2-12

volume buttons 1-17

W

Windows applications key

1-15

Windows logo key 1-15

wireless antenna

removal 5-42

spare part number 3-13,
3-23, 5-35, 5-42

wireless button 1-17

wireless light 1-13, 1-16

workstation precautions 4-6